

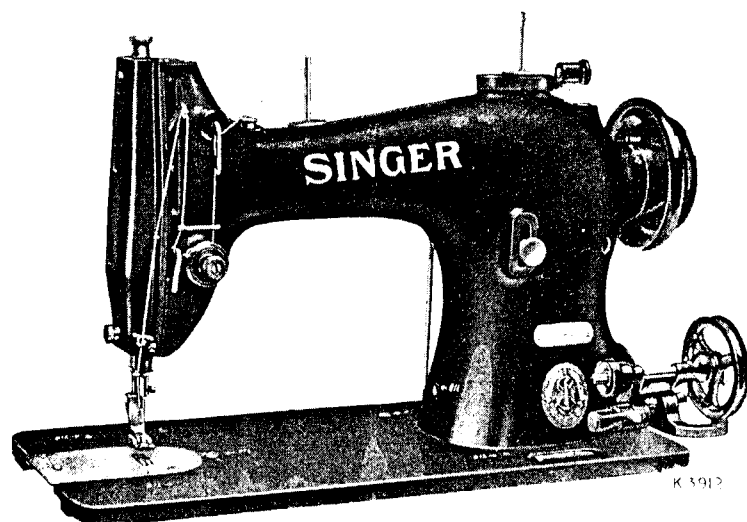
SINGER
95K40,K41,K60

Form K5642
(Supersedes K4950)

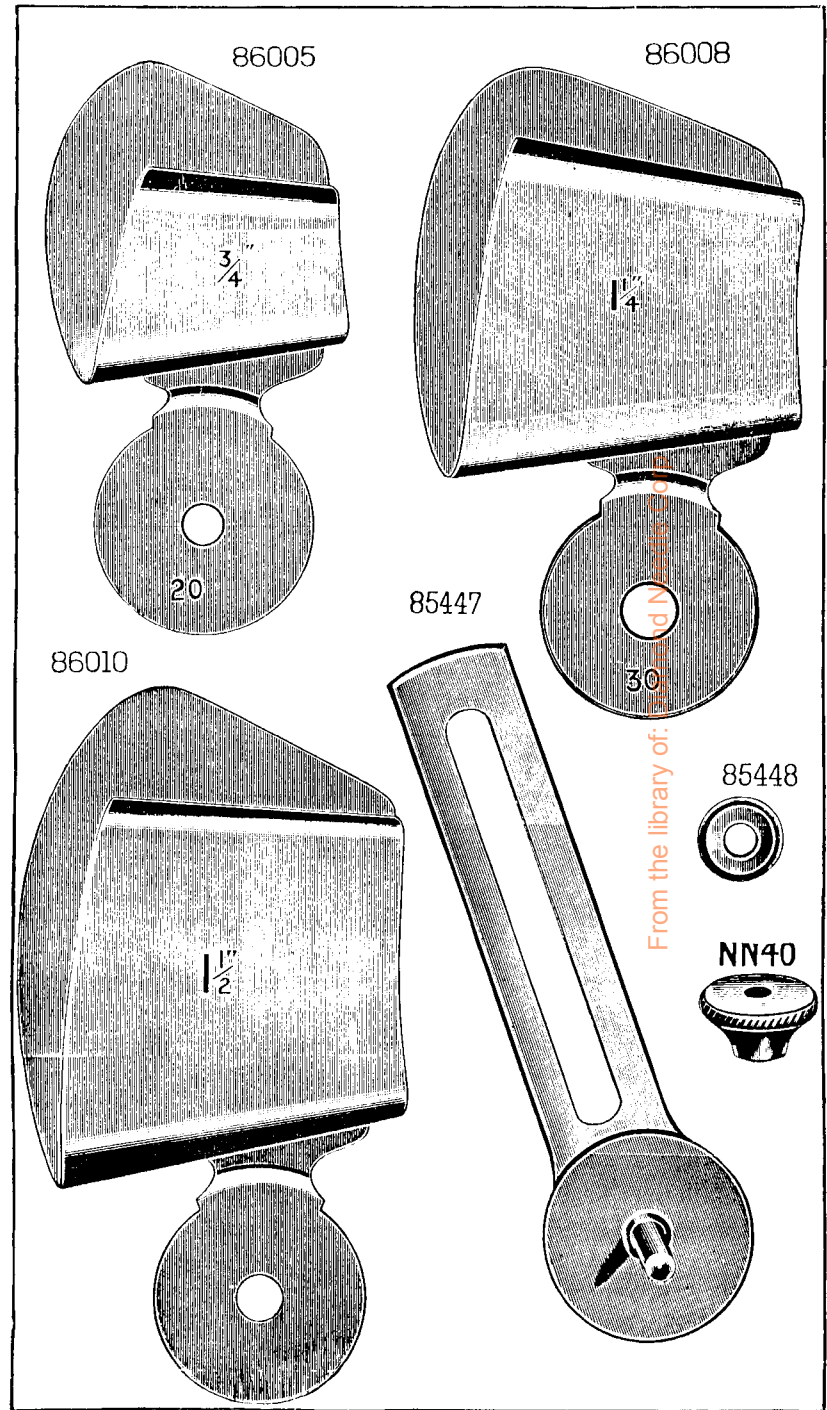
ILLUSTRATED
LIST OF PARTS

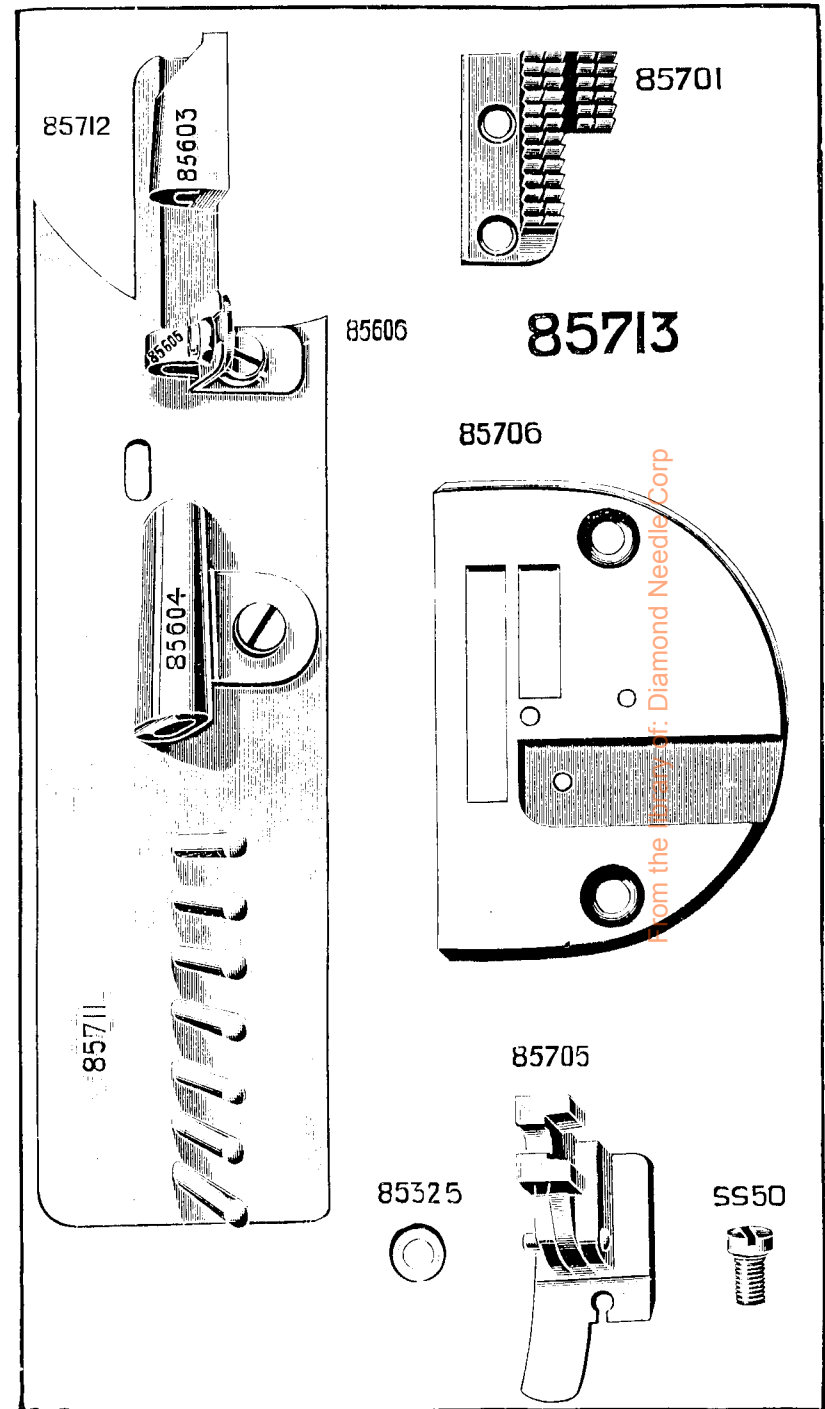
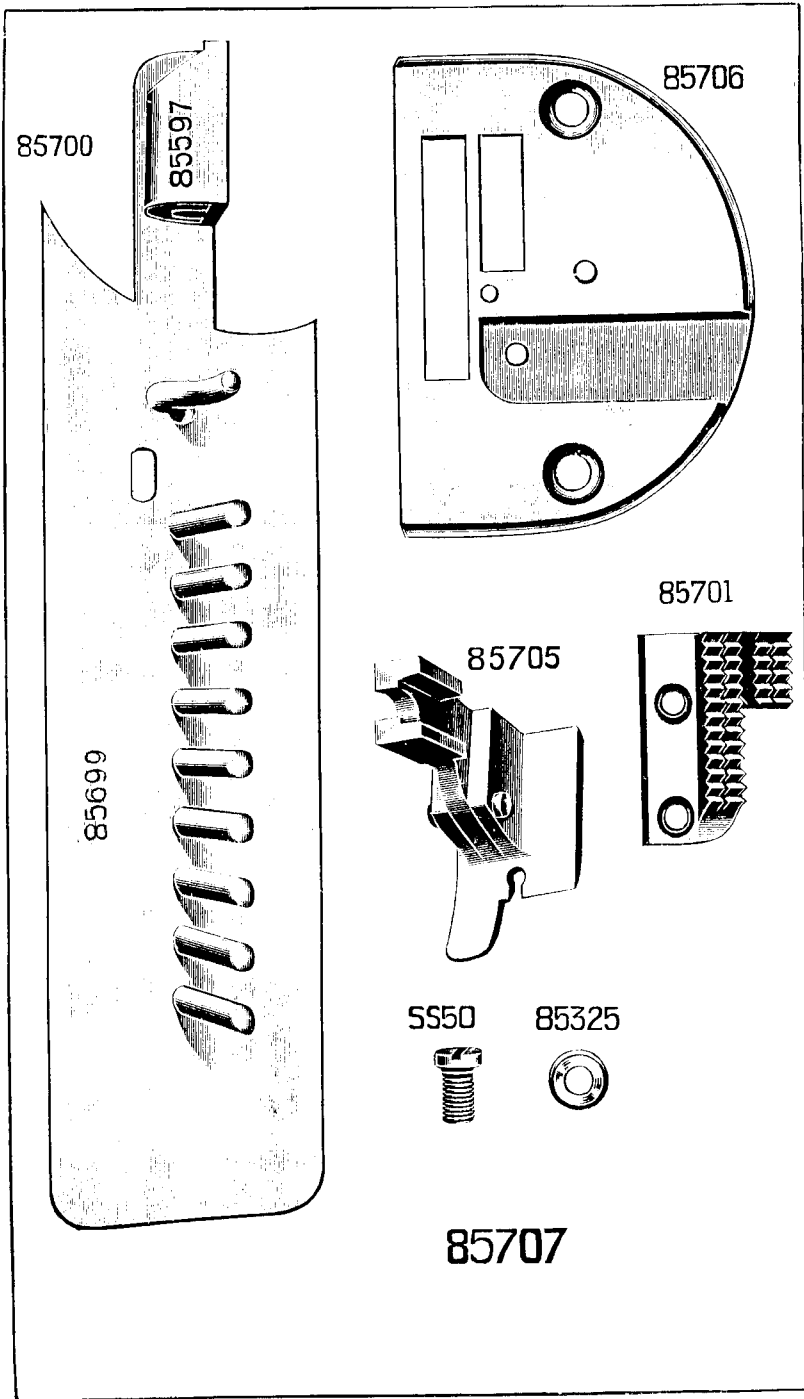
FOR

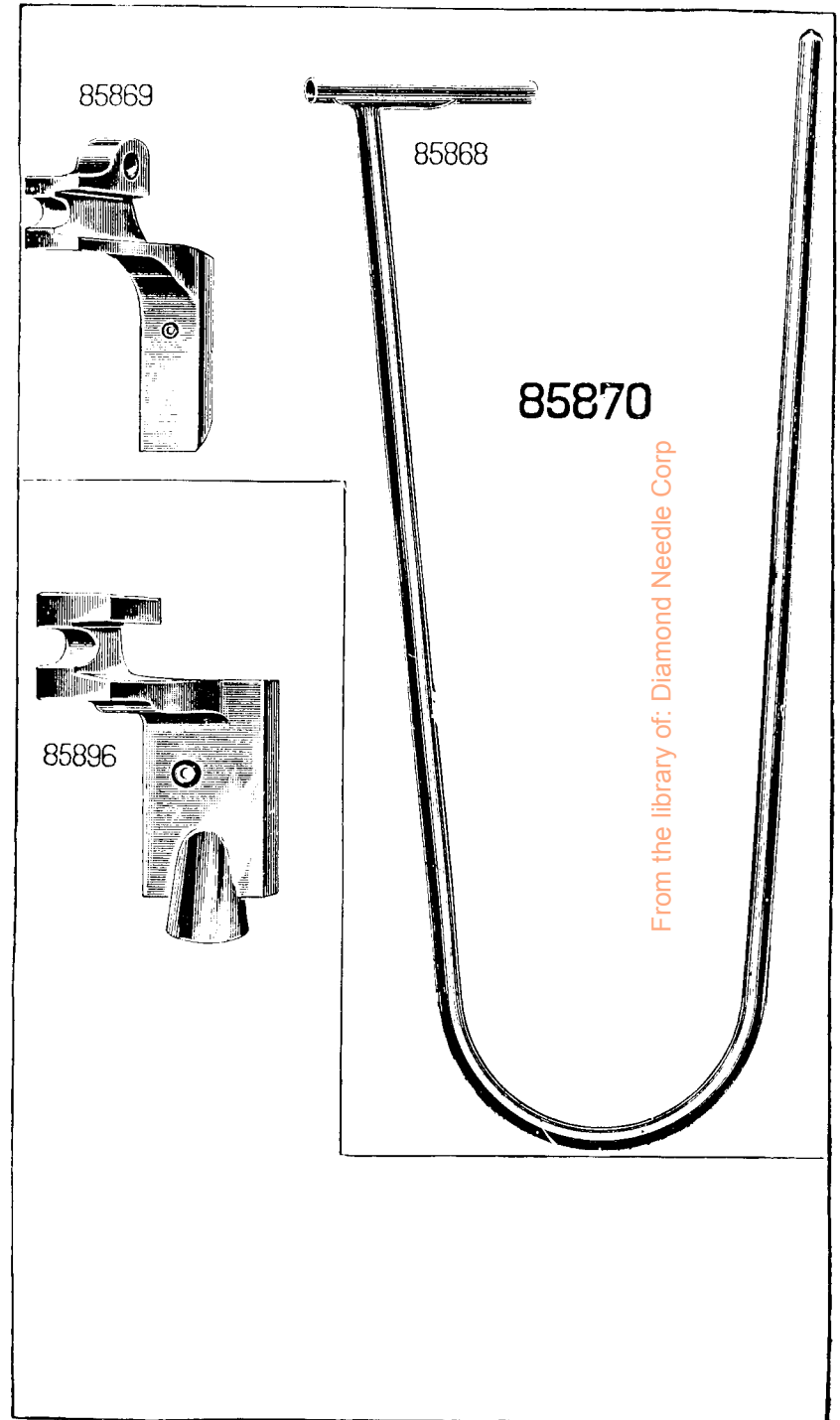
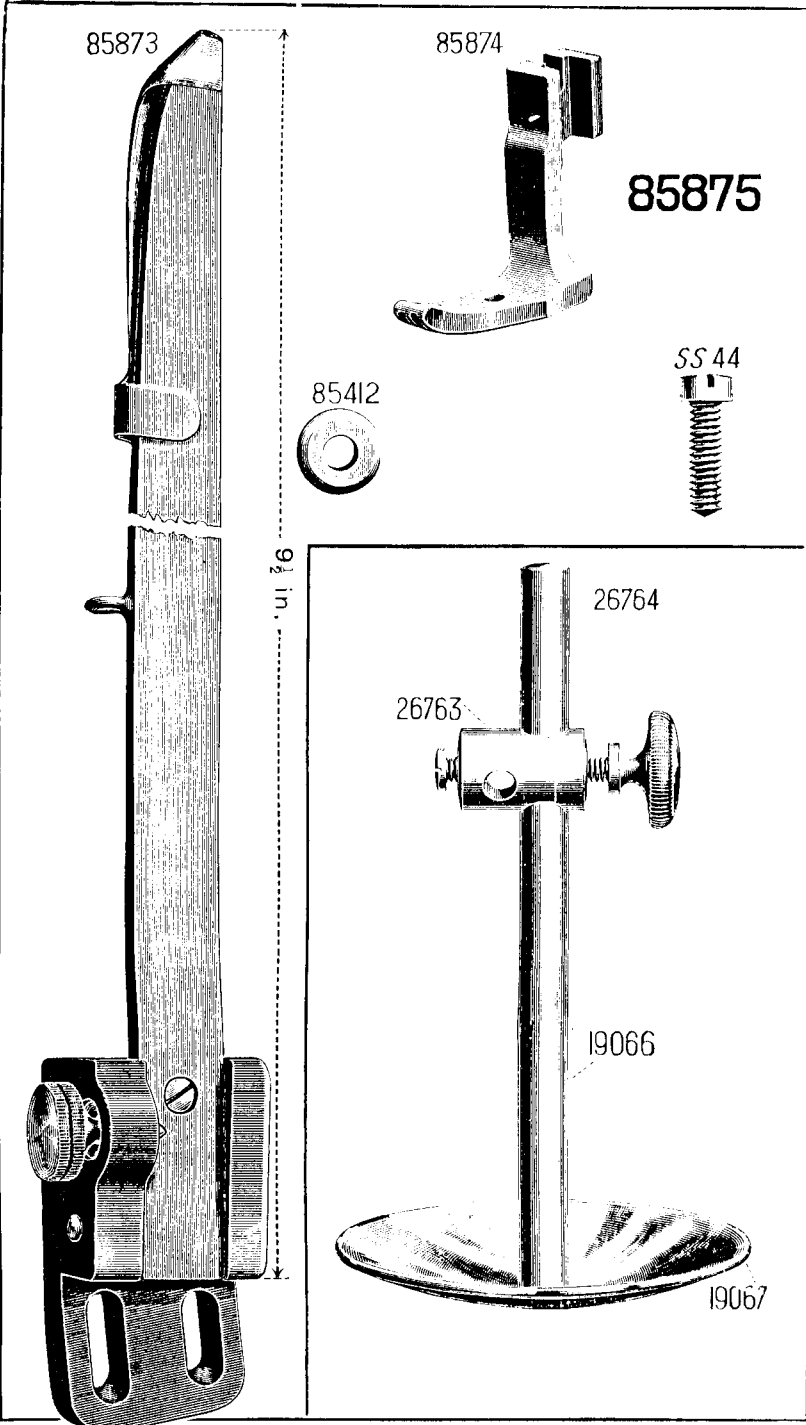
Nos. 95K40, 95K41 and 95K60
Machines



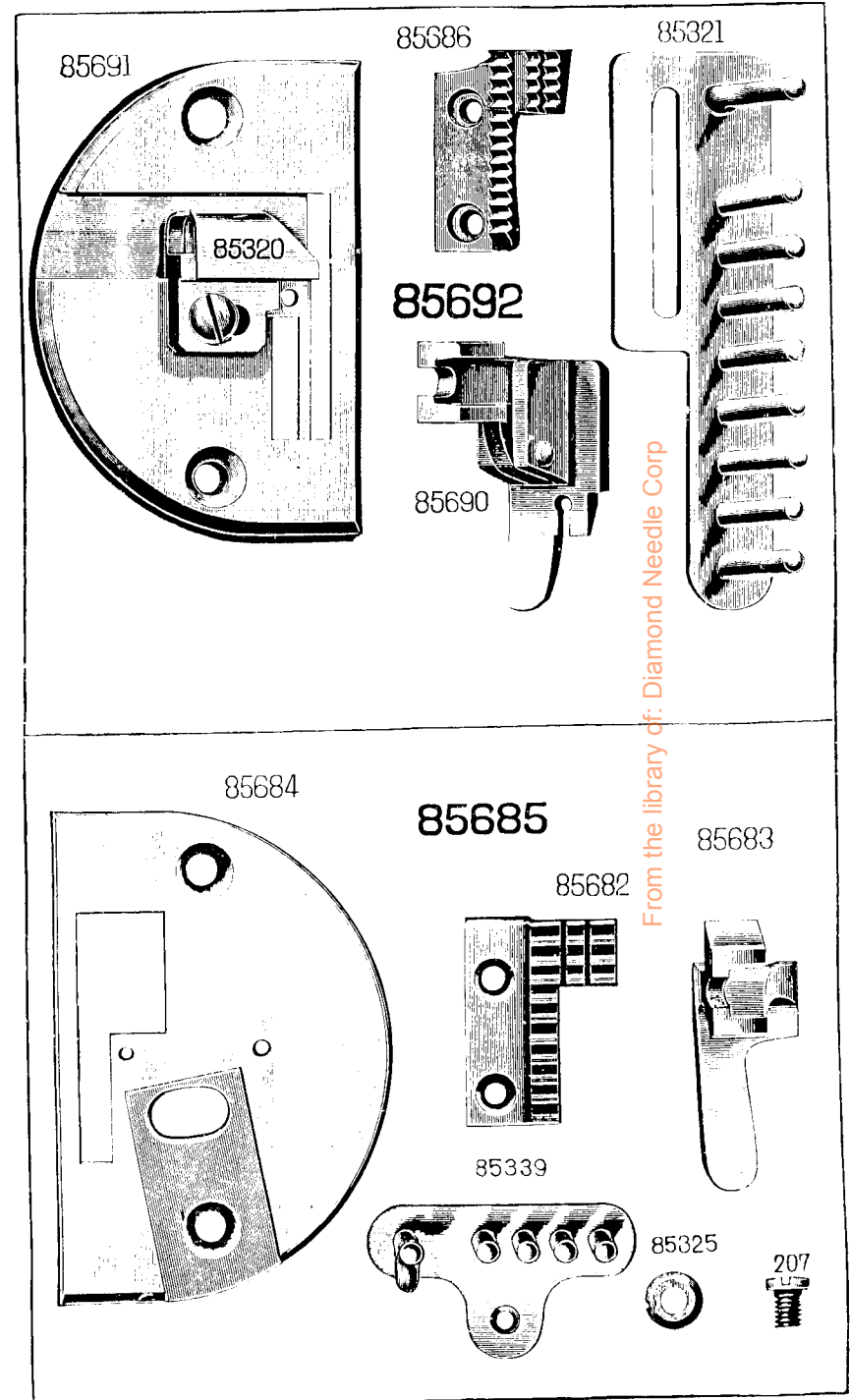
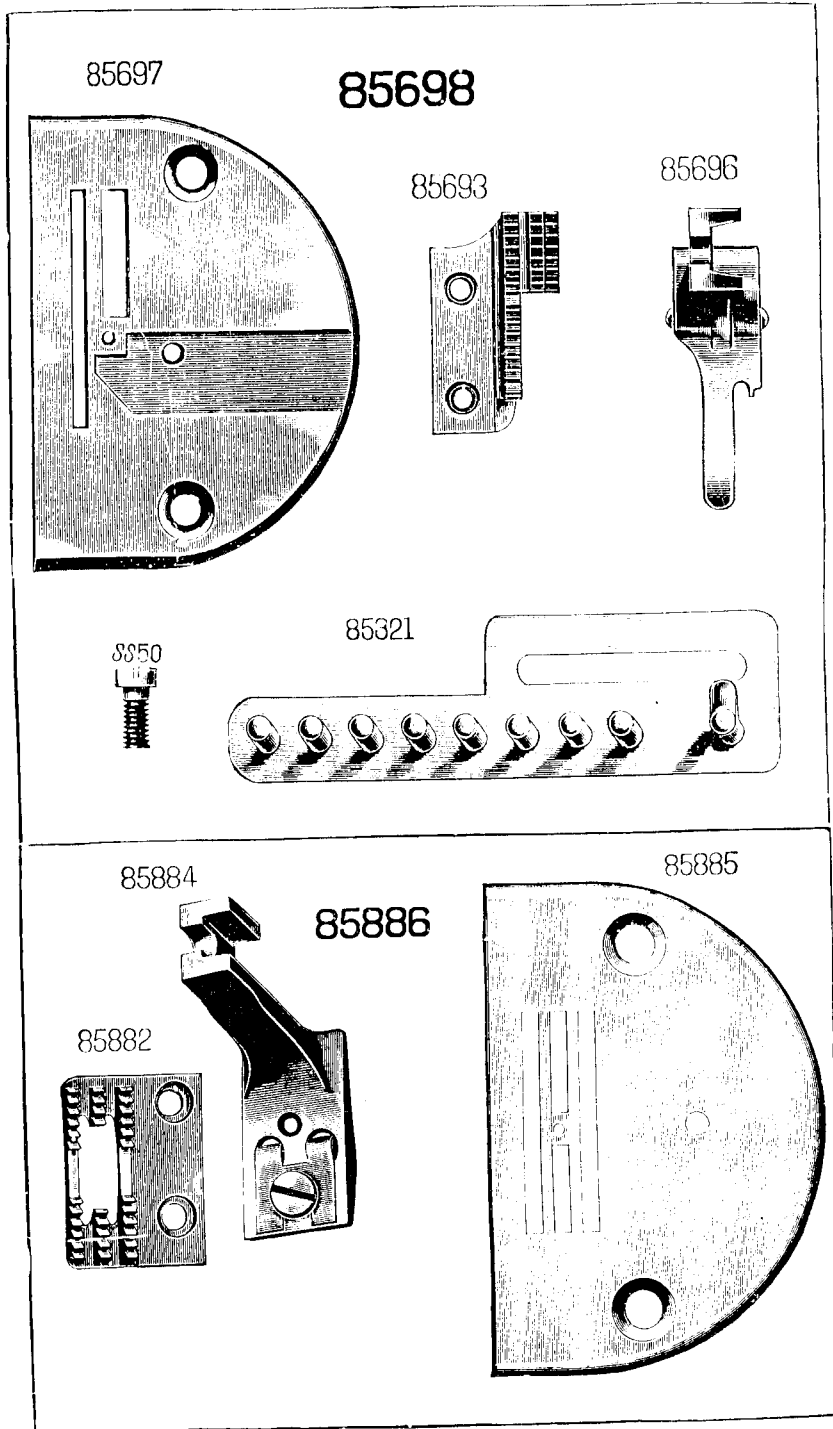
THE SINGER MANUFACTURING COMPANY



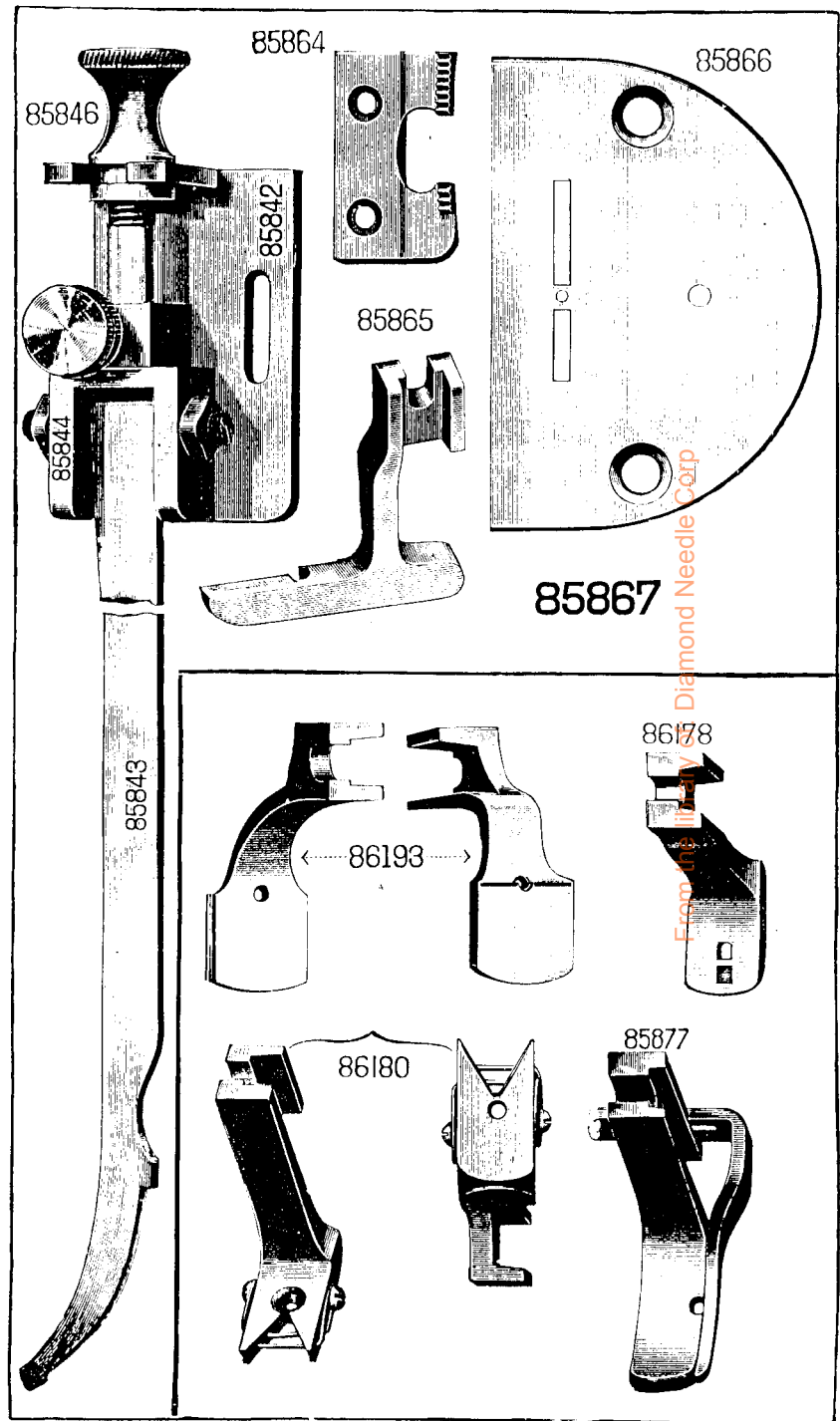
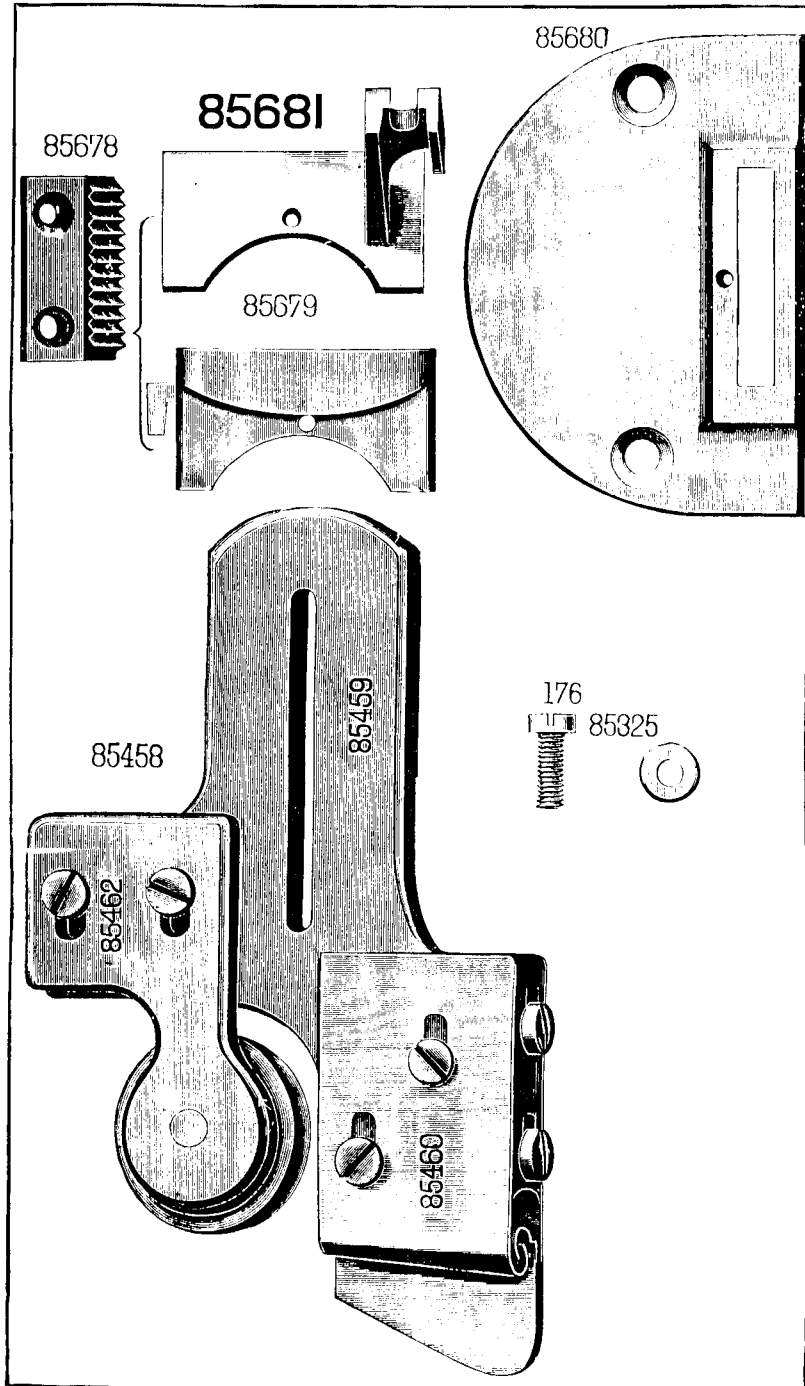




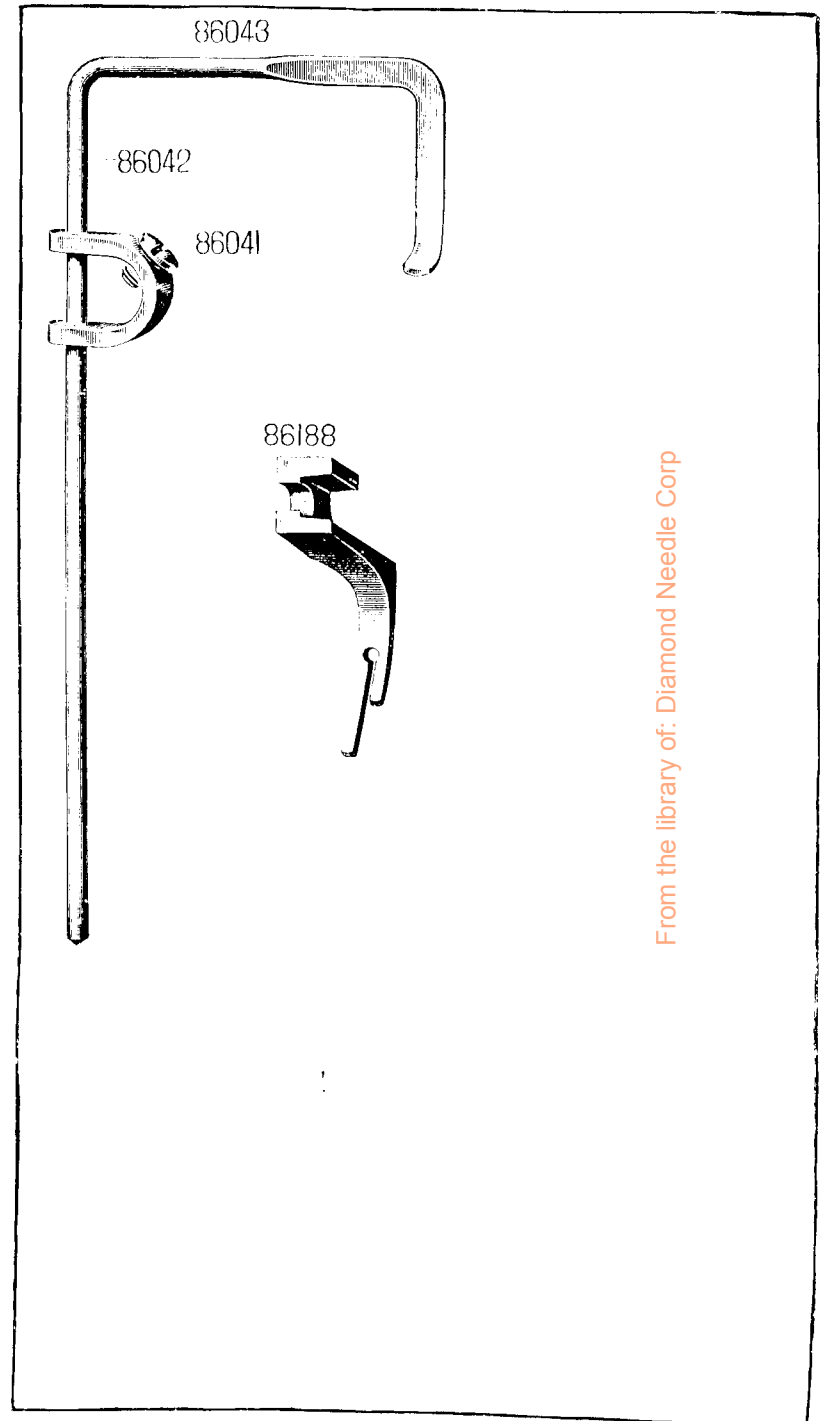
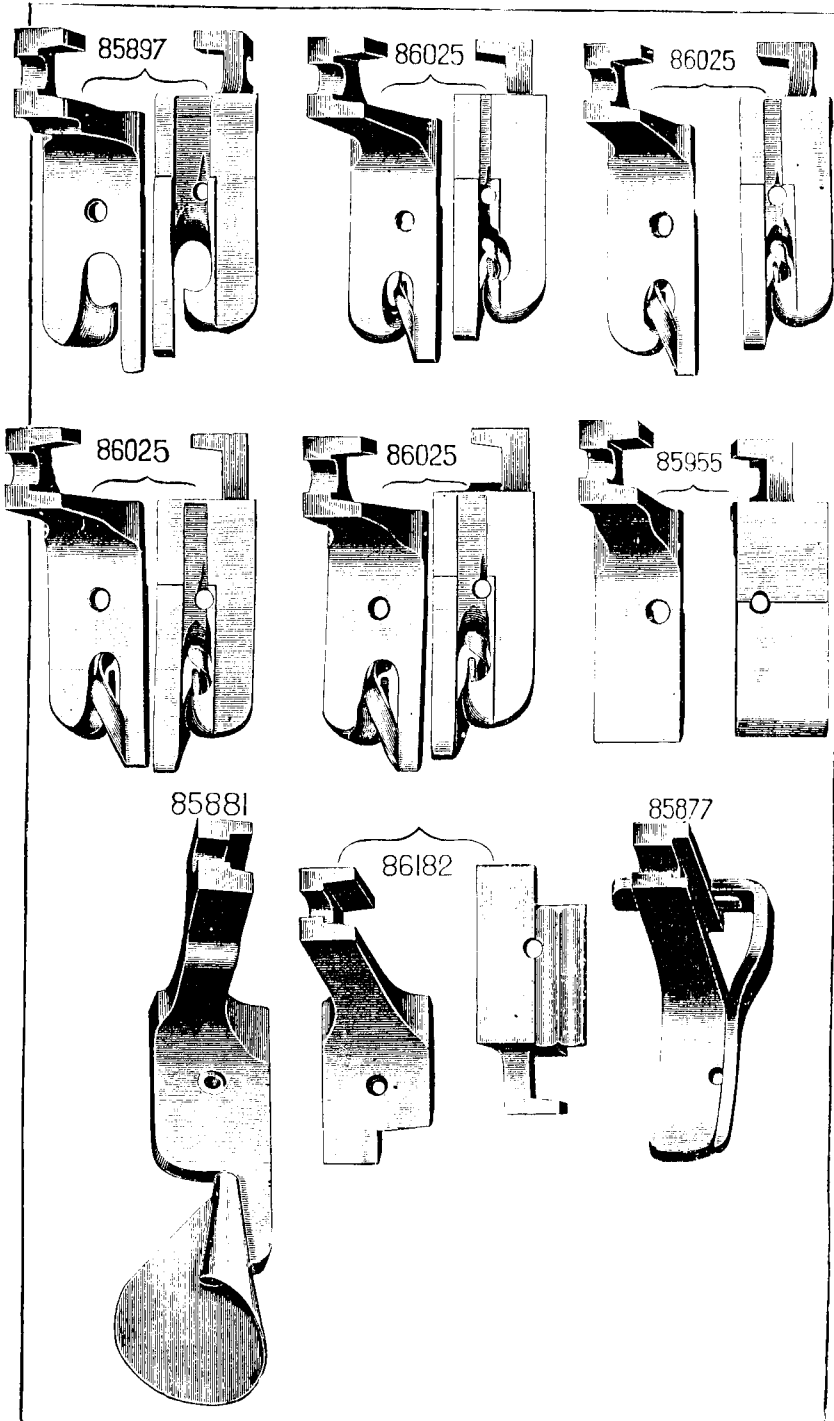
From the library of: Diamond Needle Corp



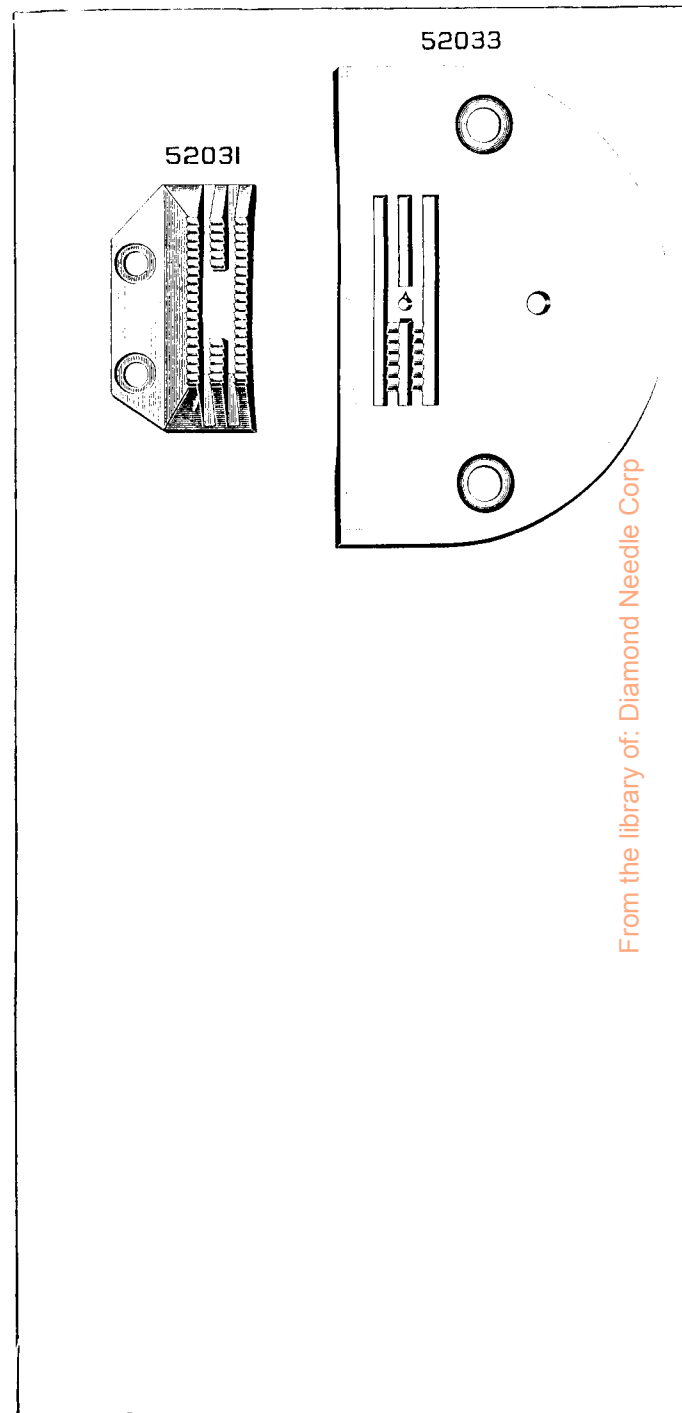
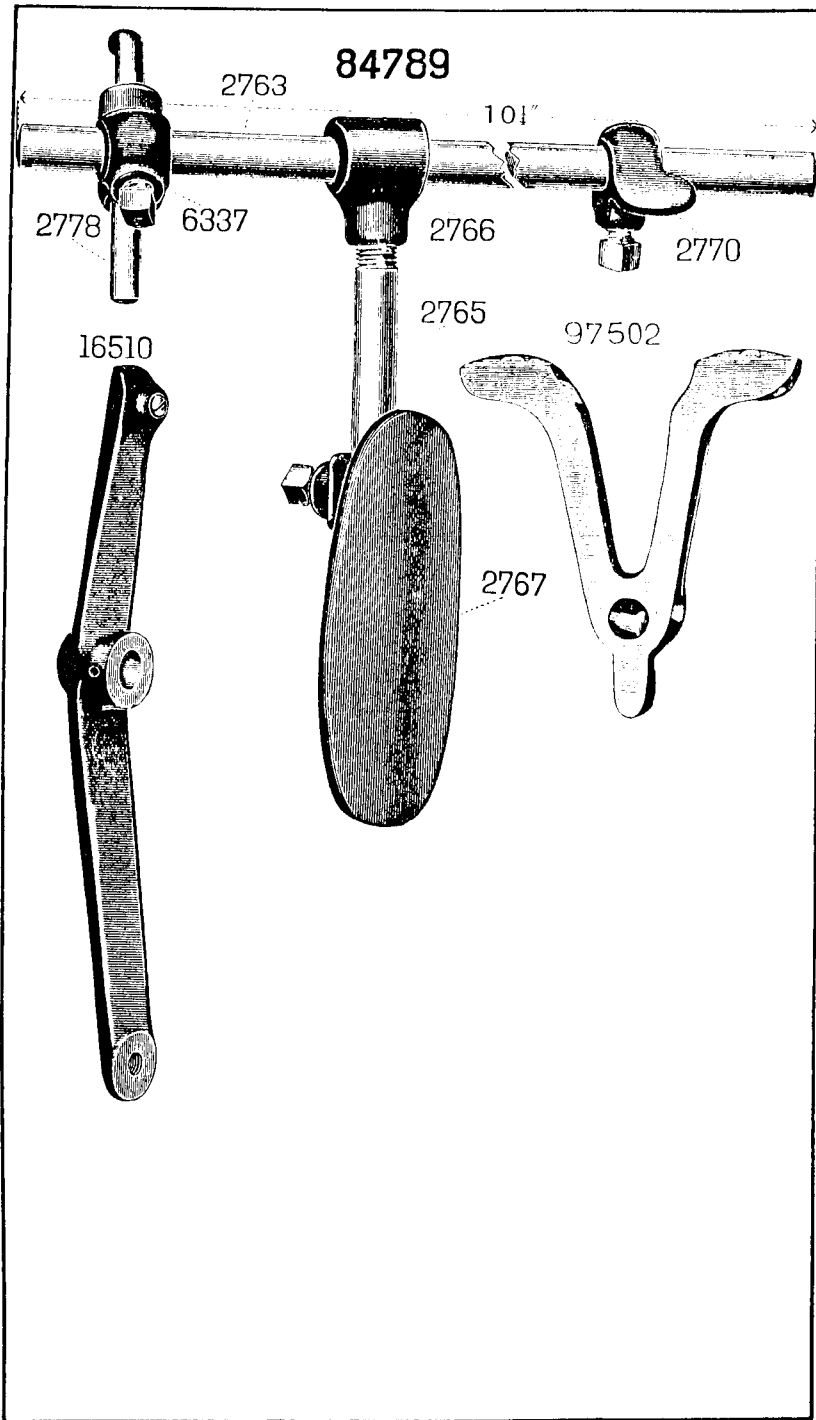
From the library of: Diamond Needle Corp



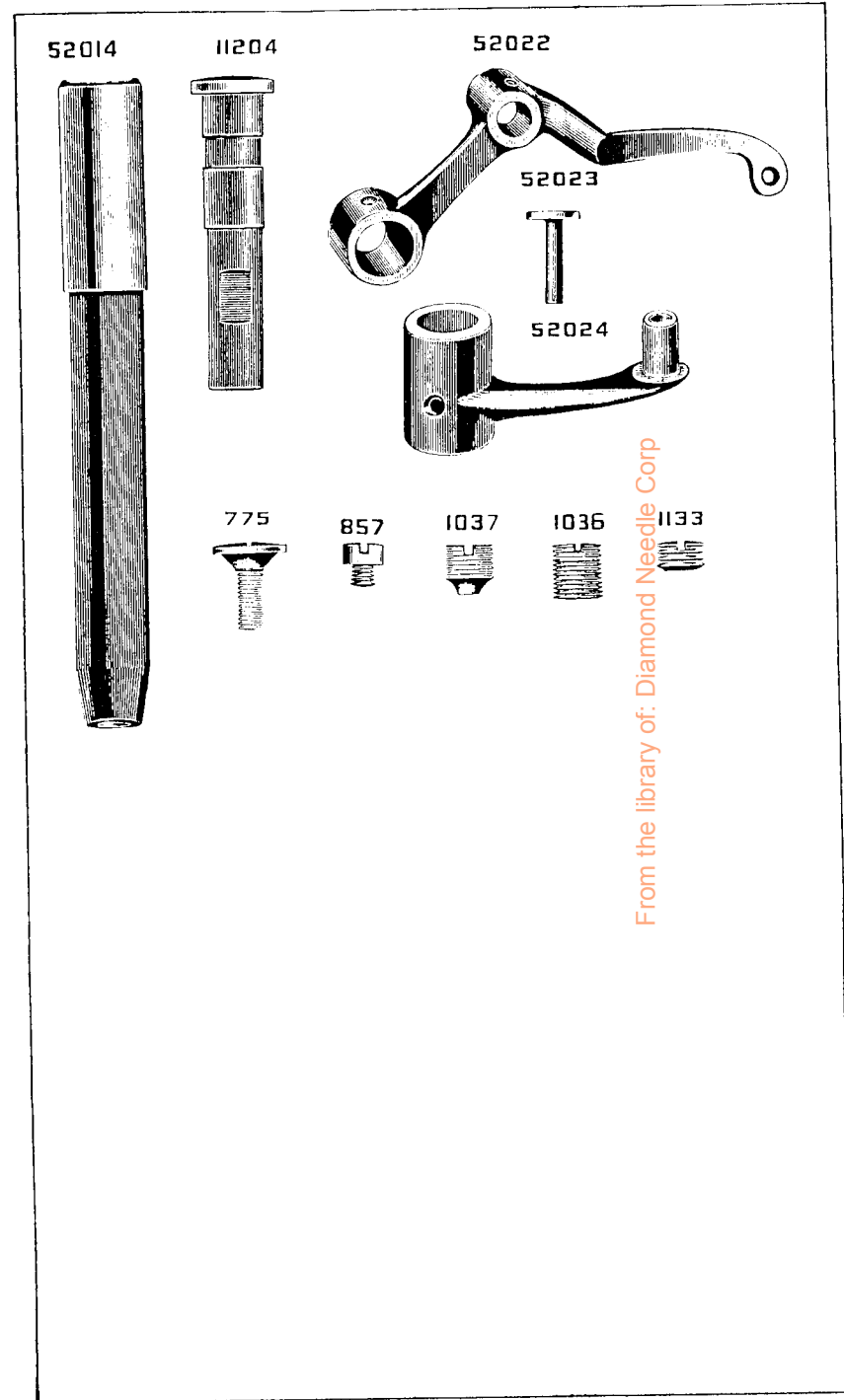
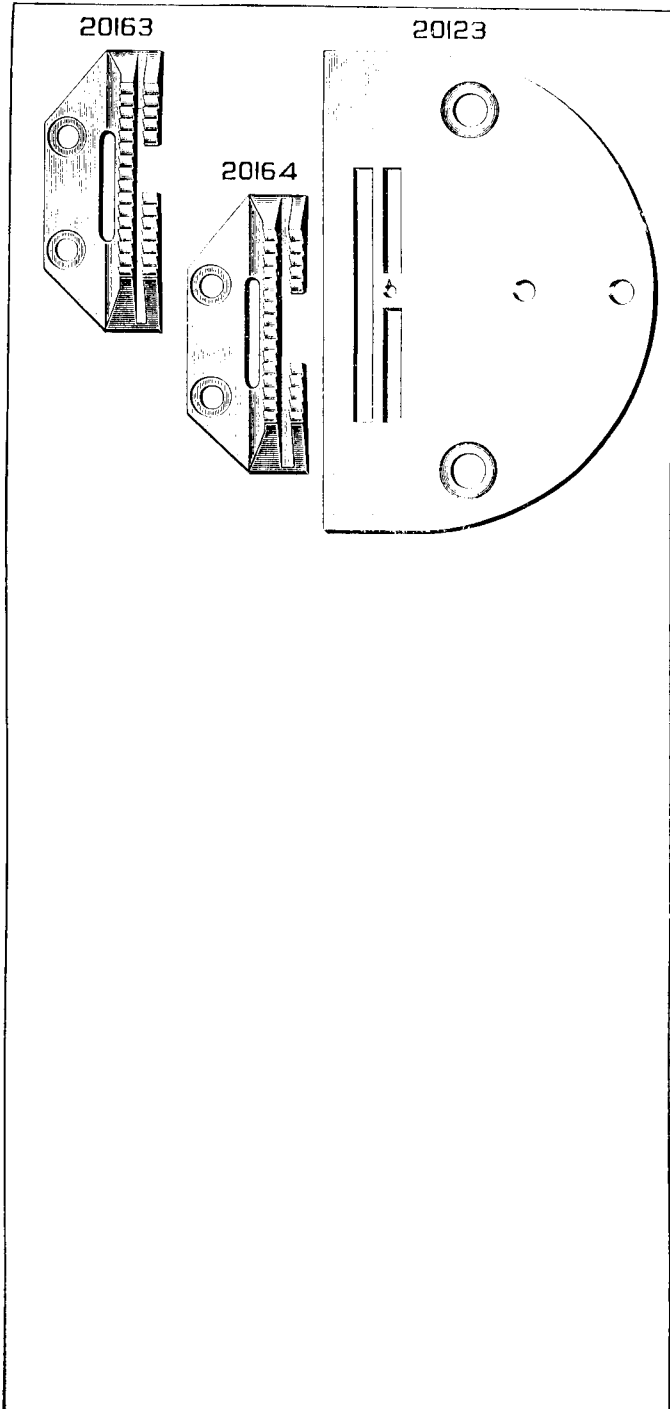
Copyright © 1994 Diamond Needle Corp



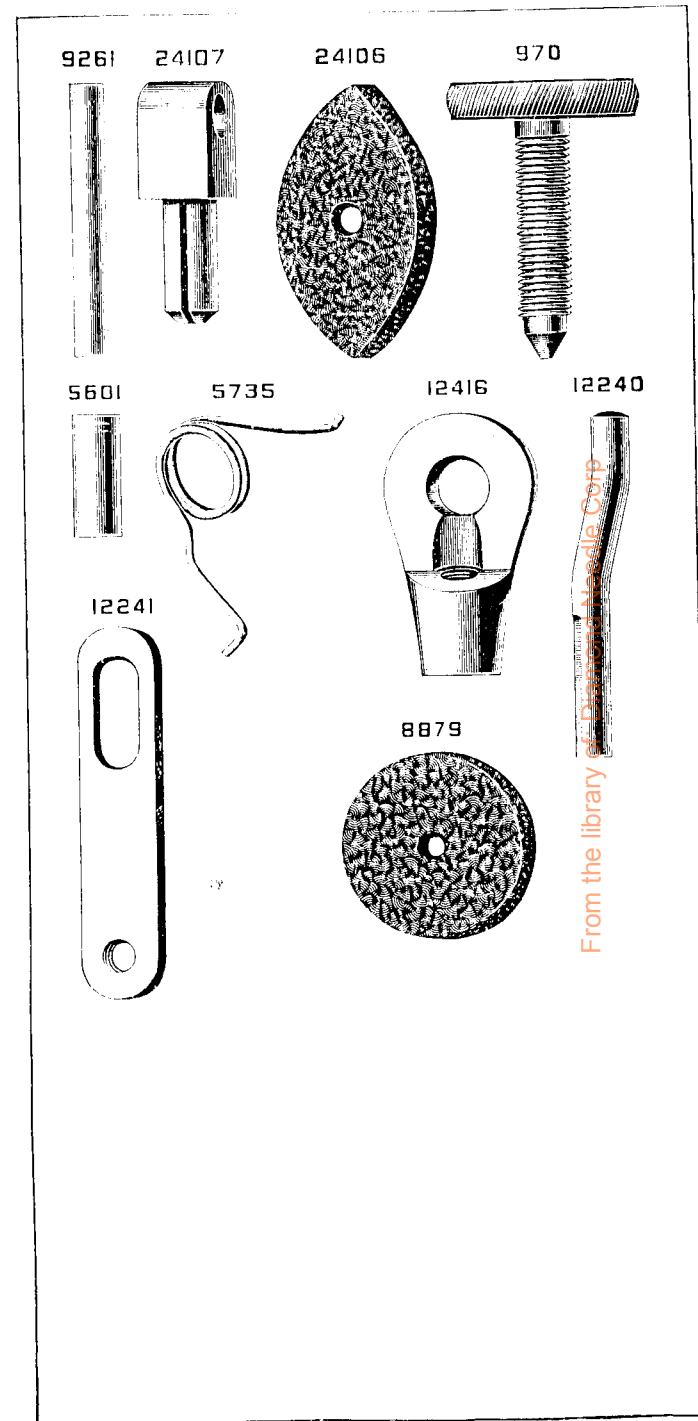
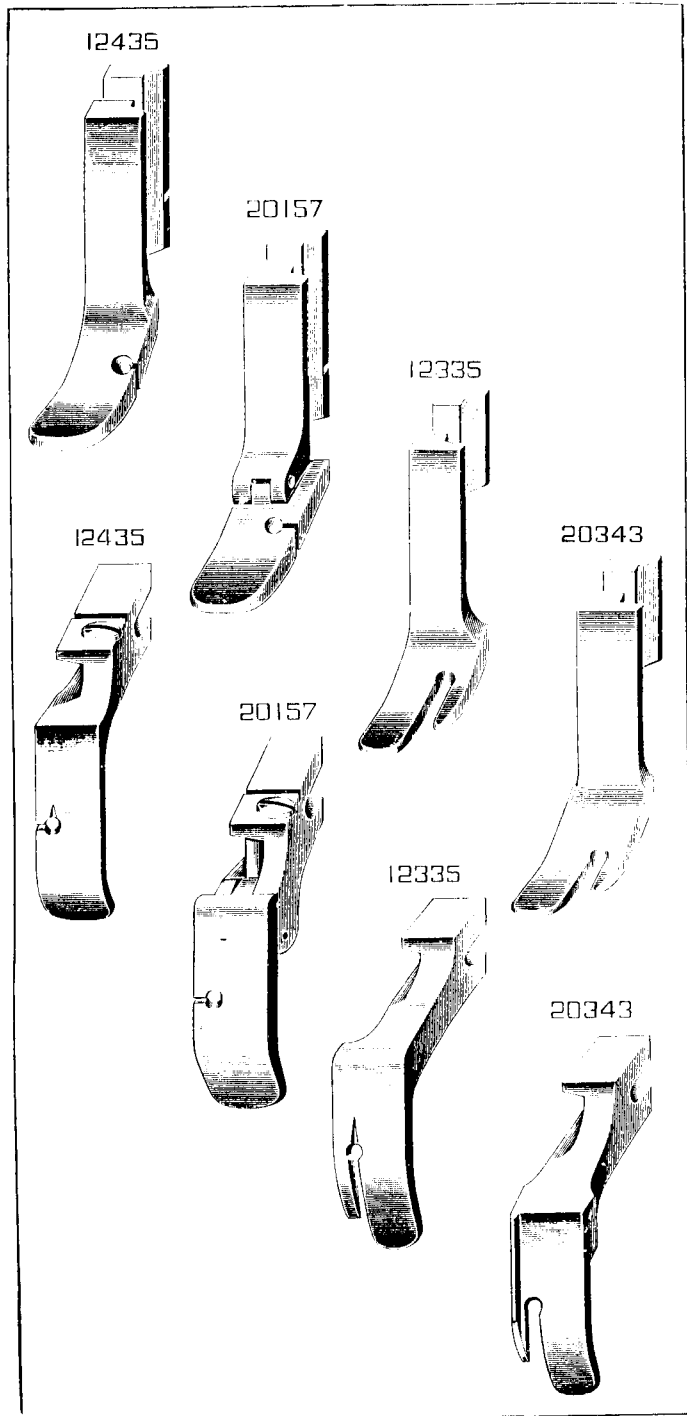
From the library of: Diamond Needle Corp



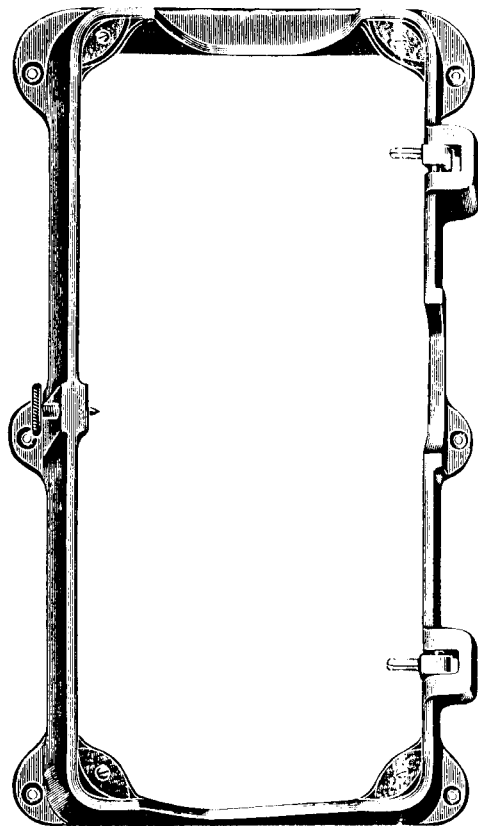
From the library of: Diamond Needle Corp



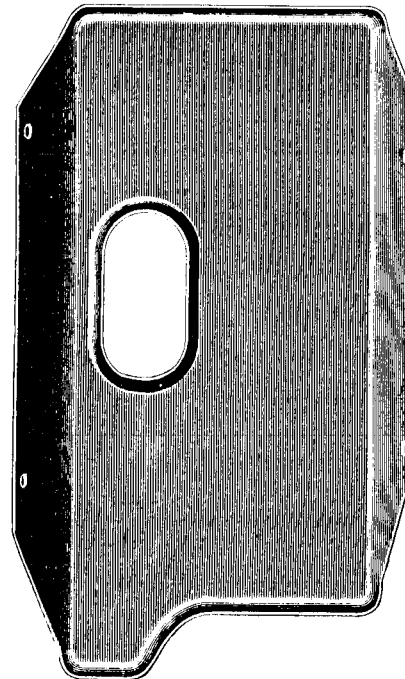
From the library of: Diamond Needle Corp



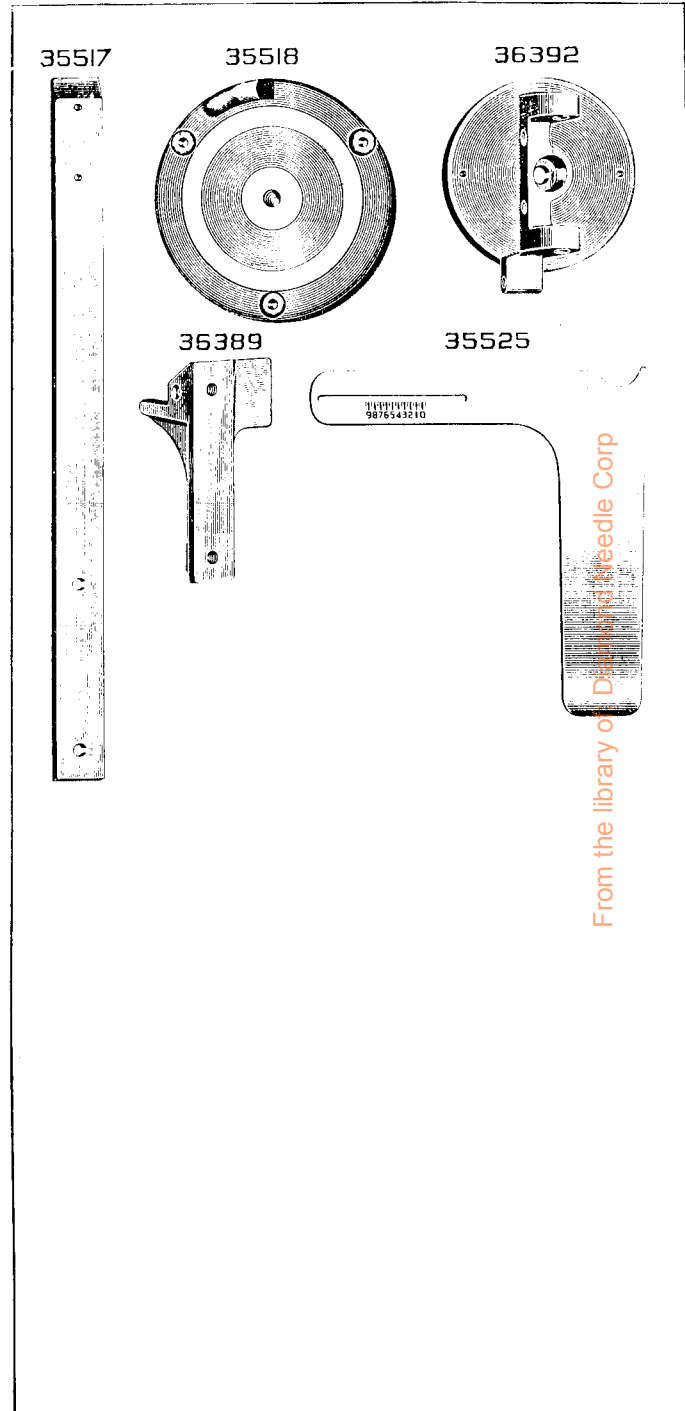
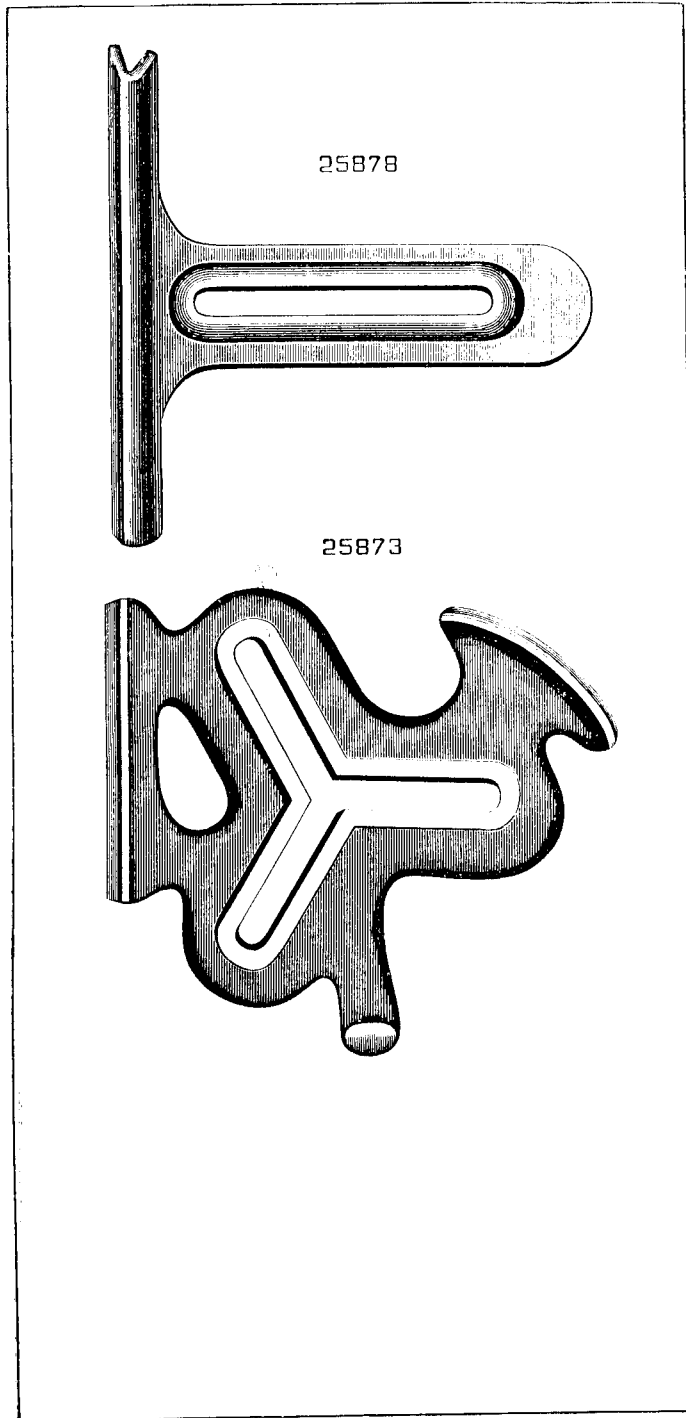
24108



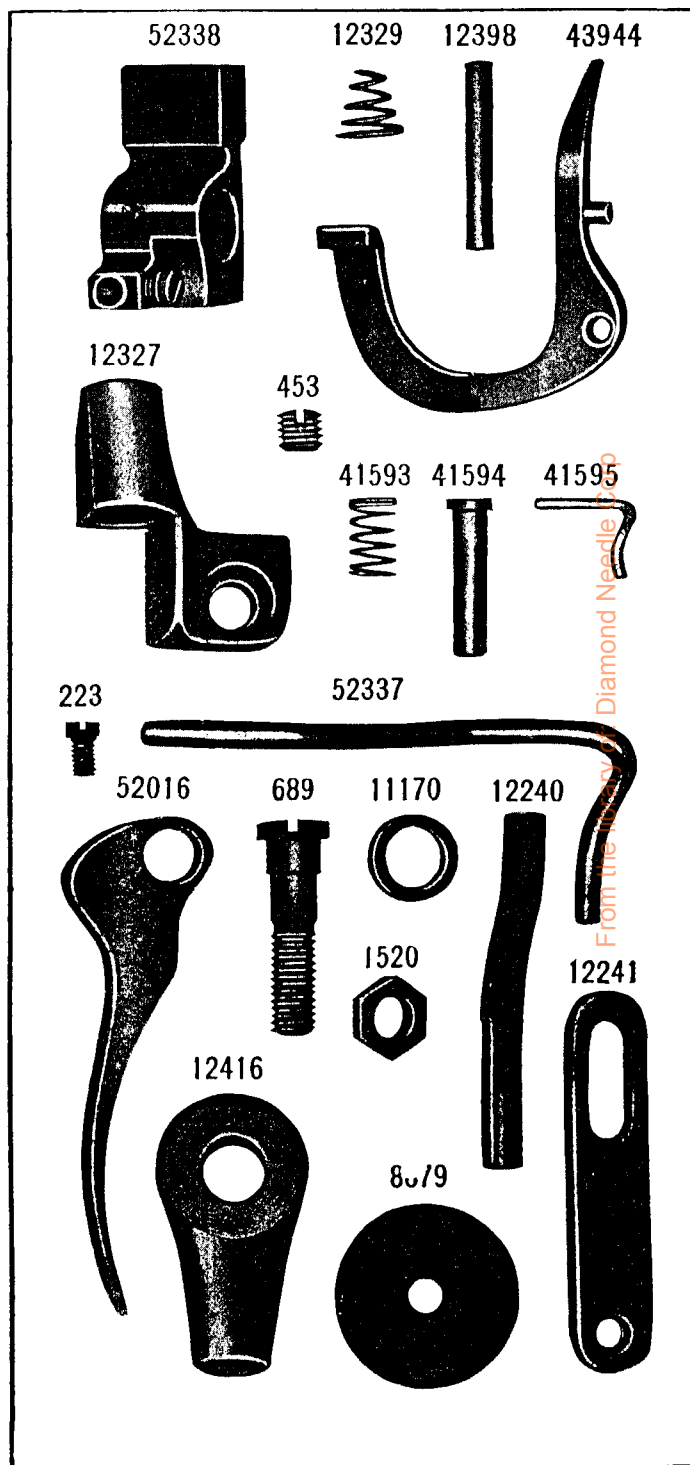
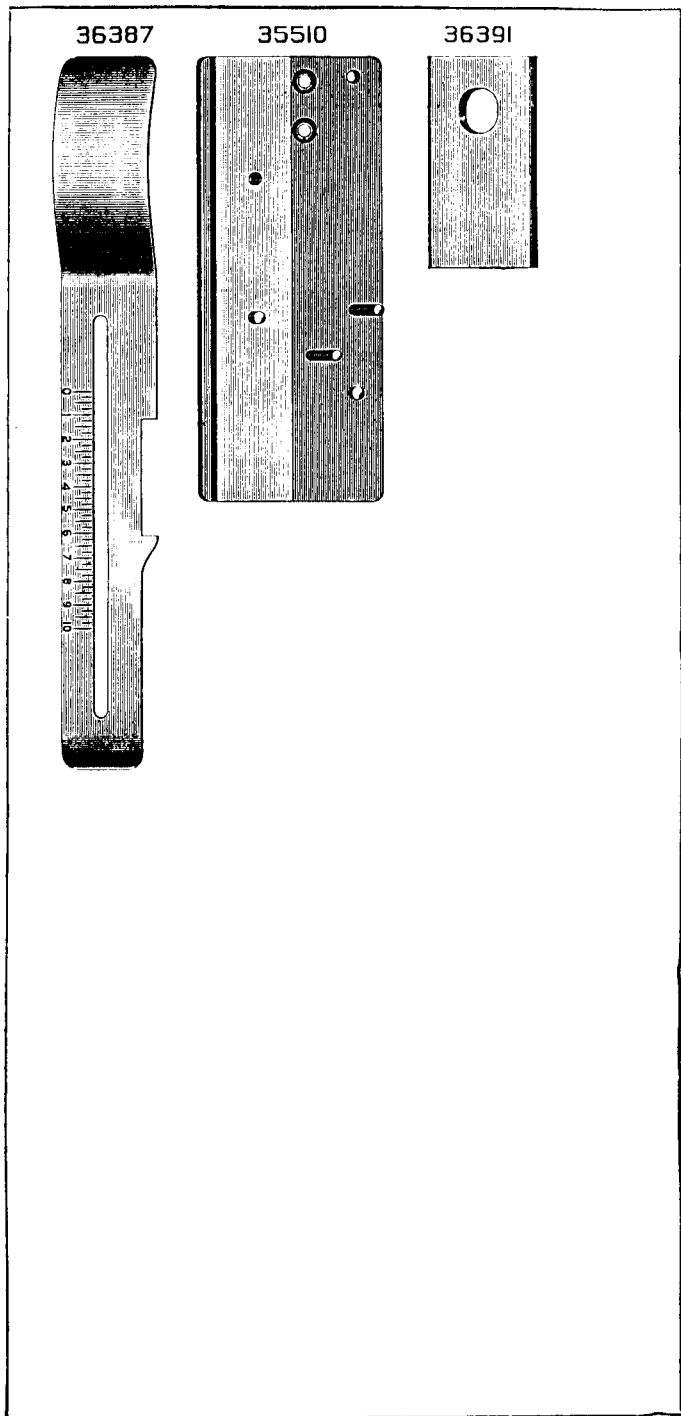
24079

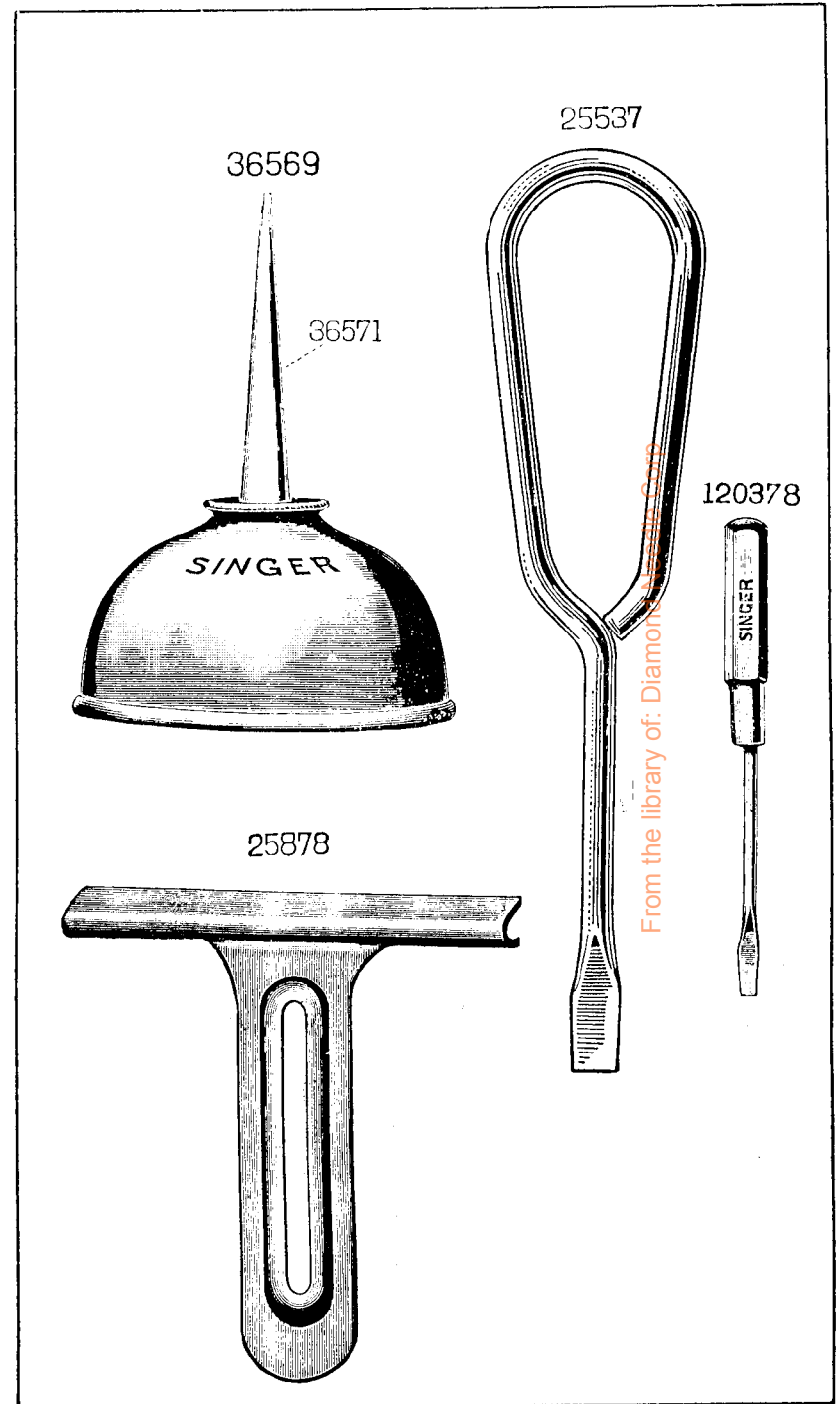
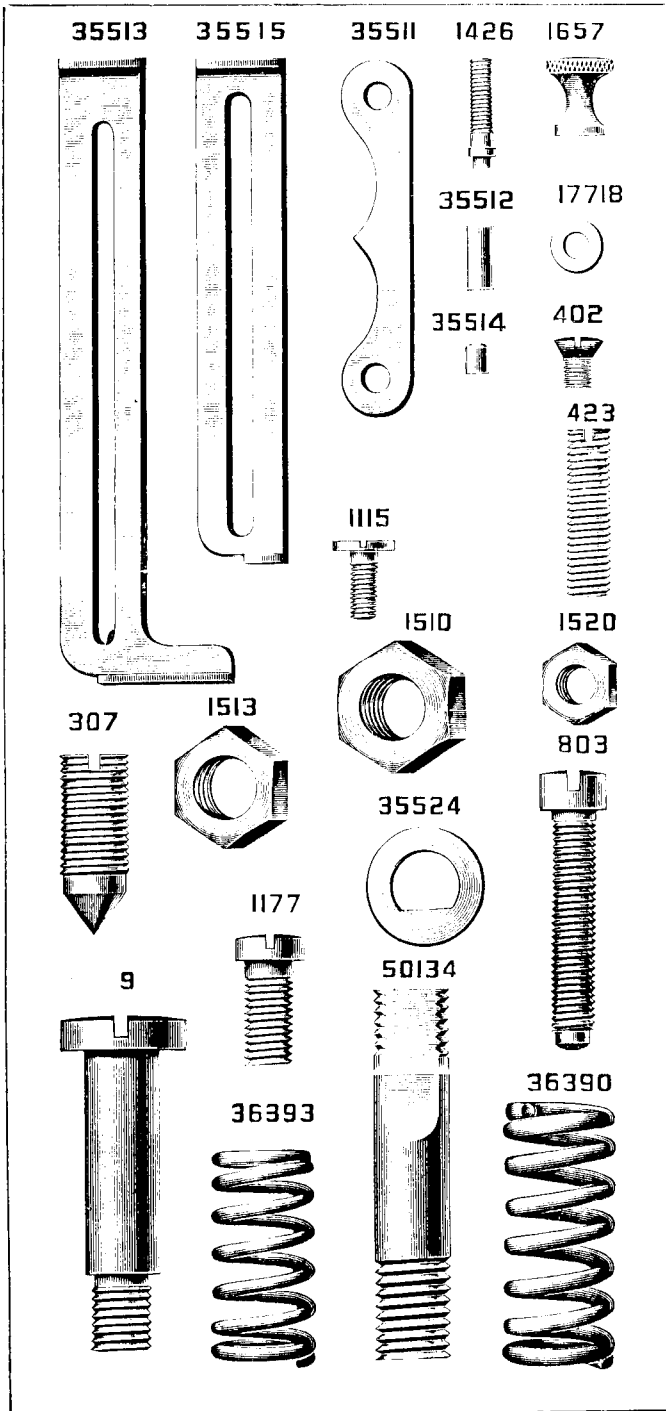


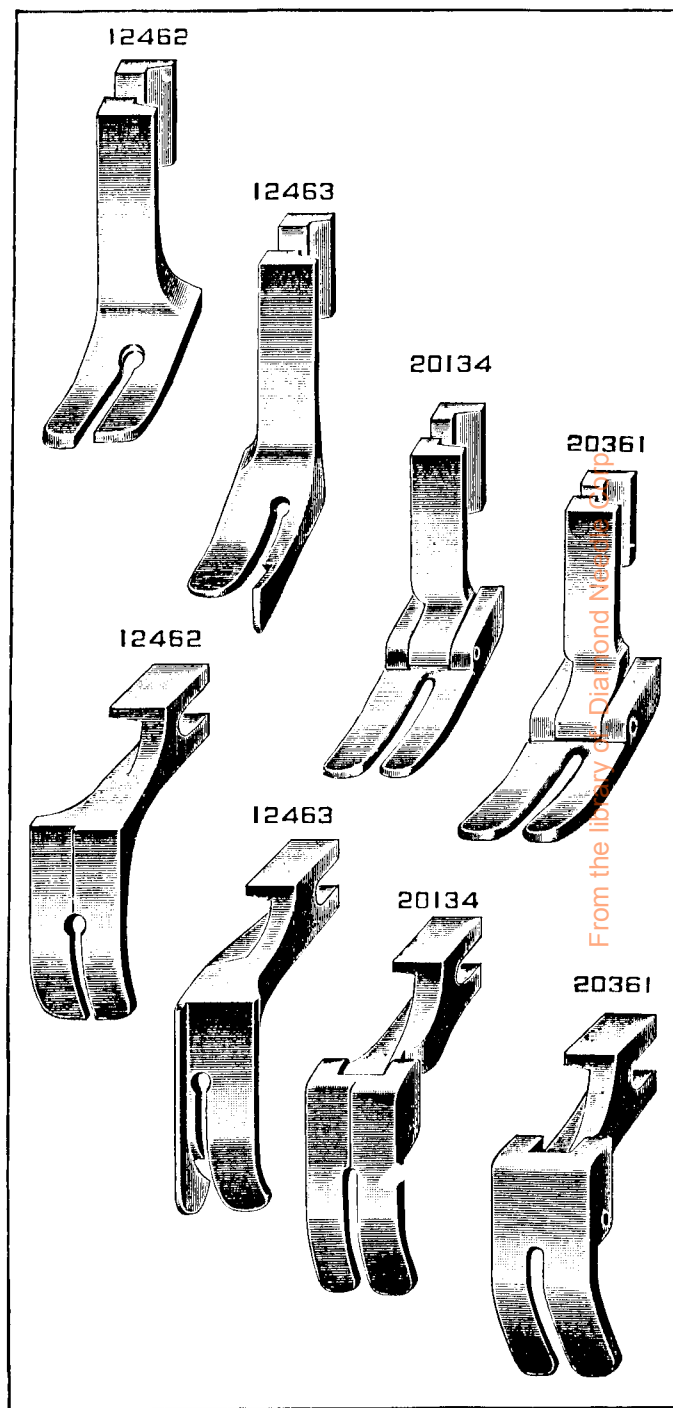
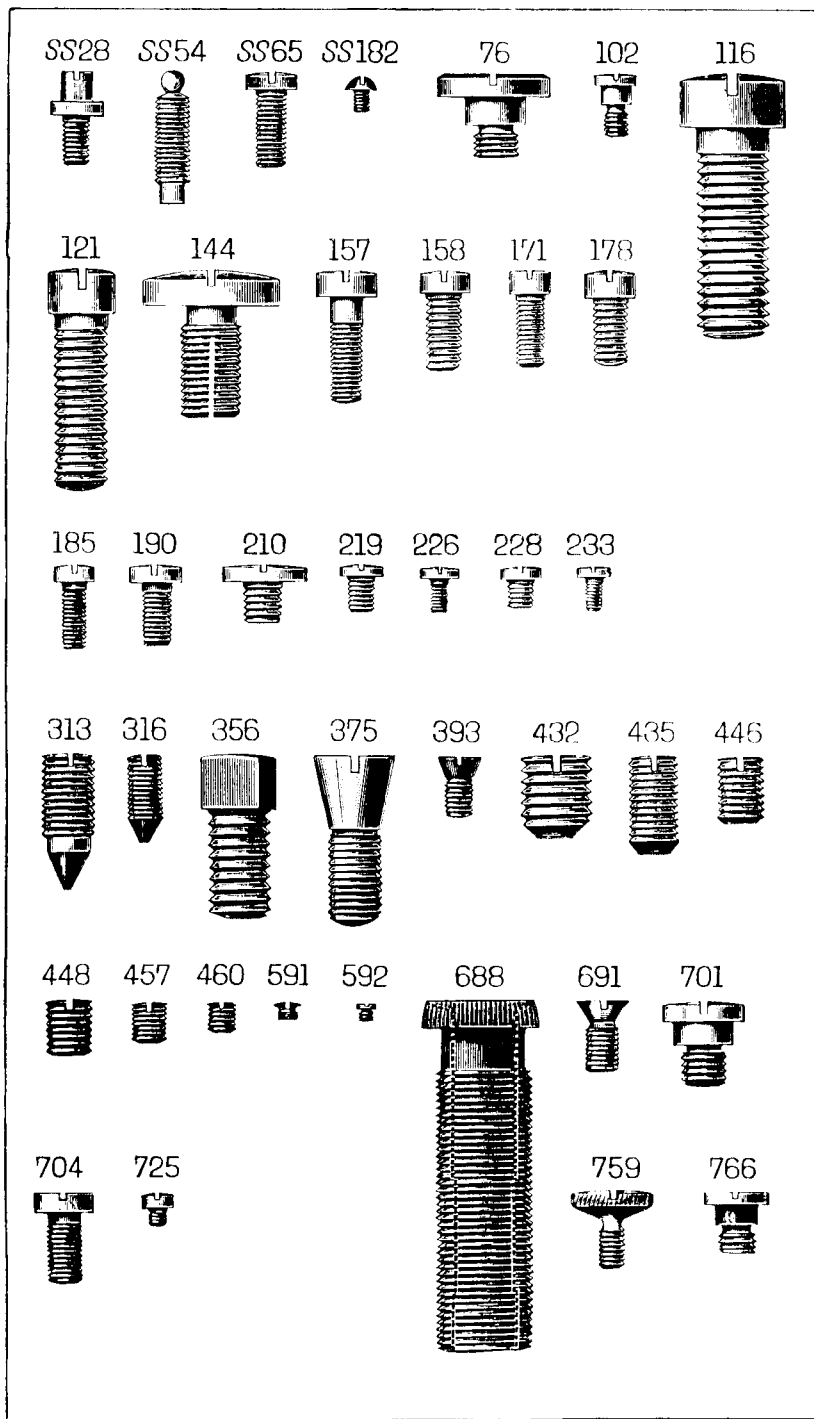
From the library of: Diamond Needle Corp

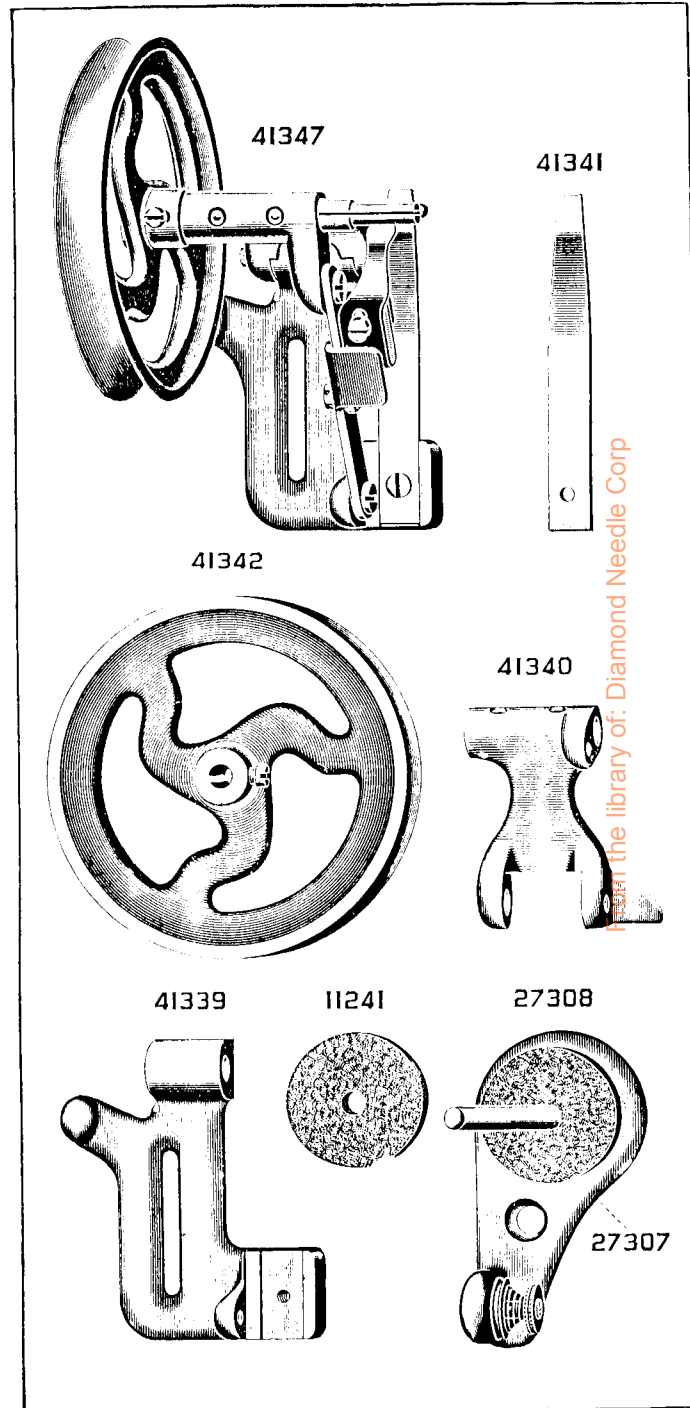
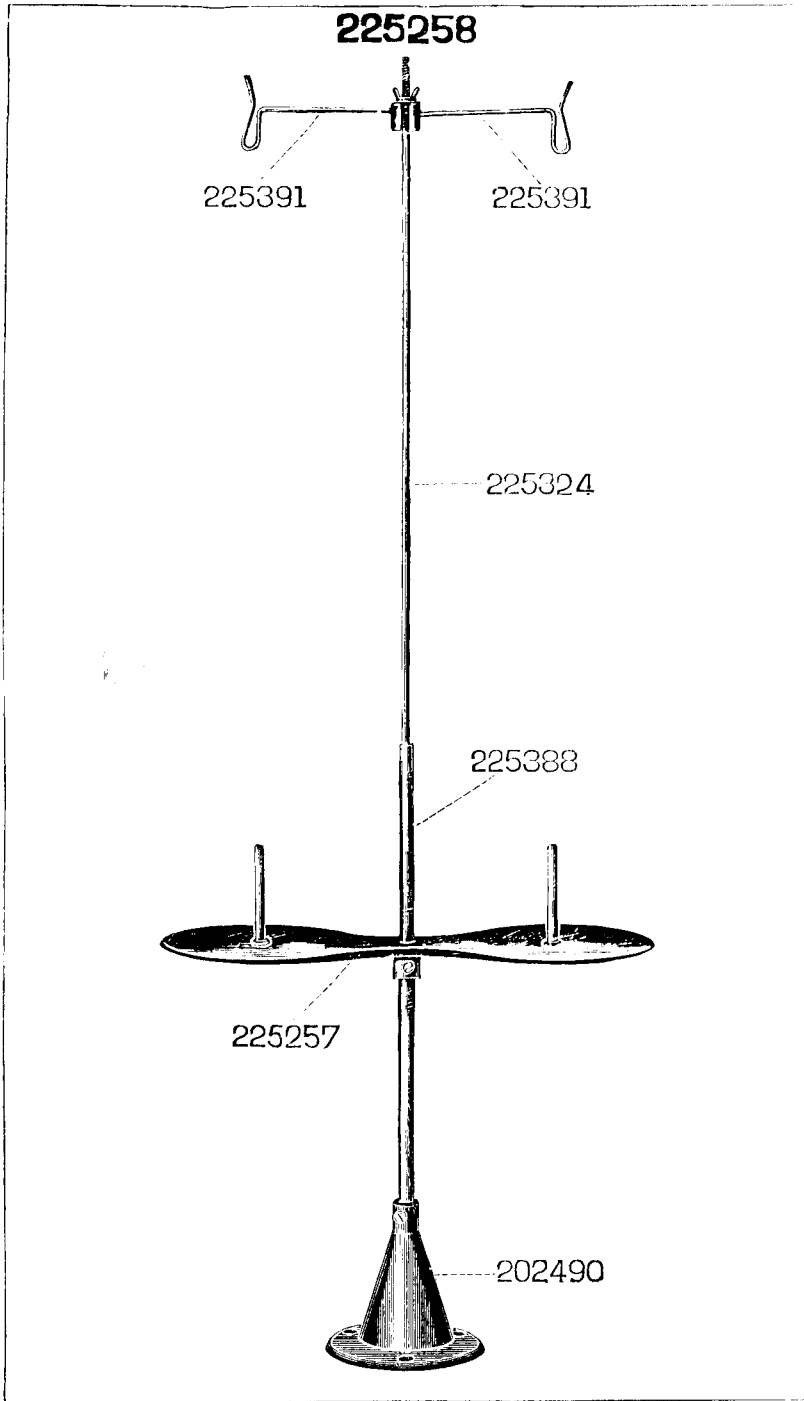


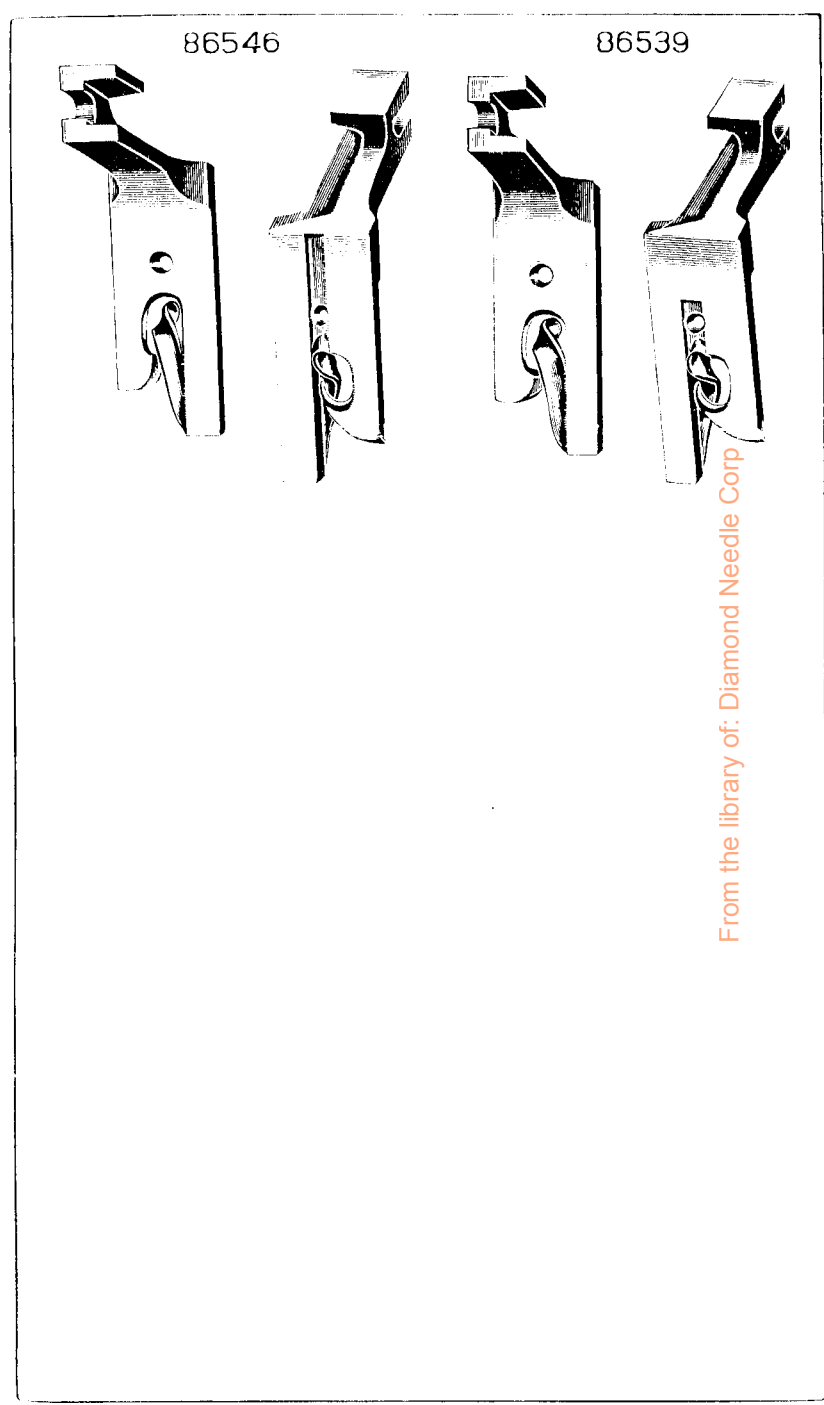
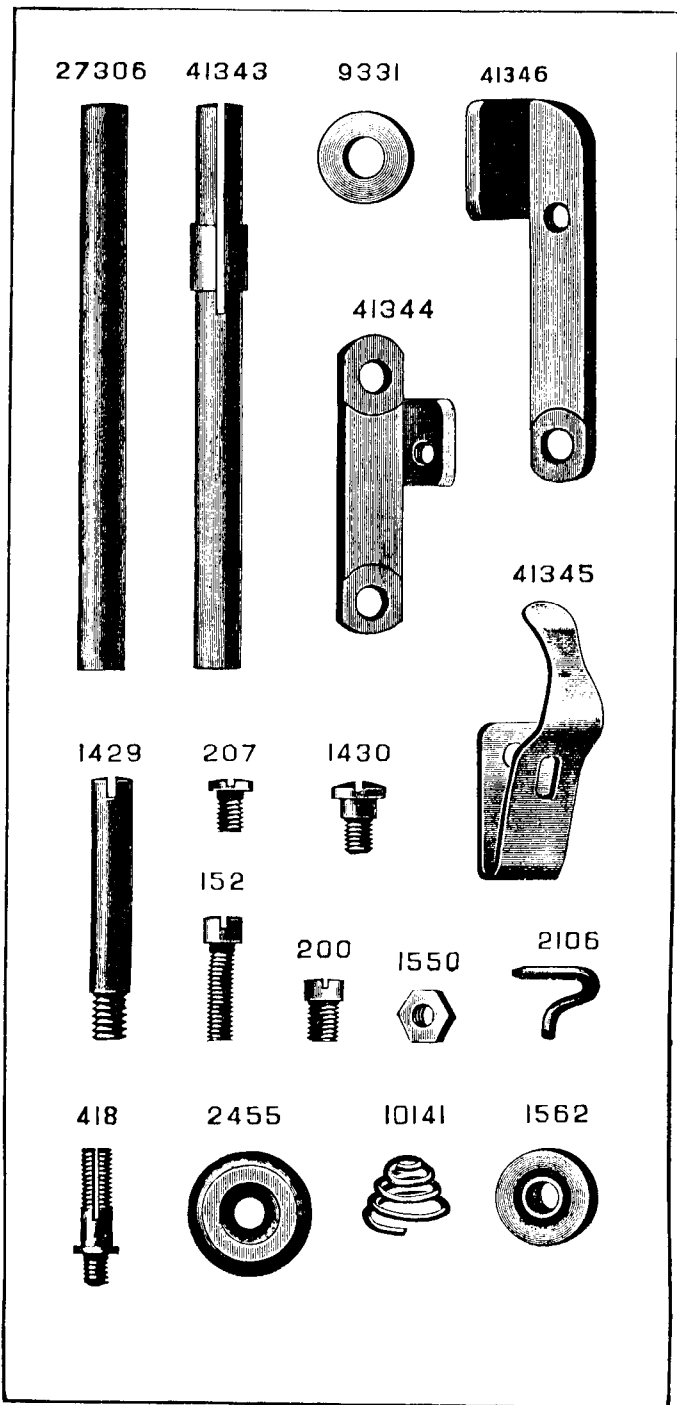
From the library of **Dickson Sewing Corp**



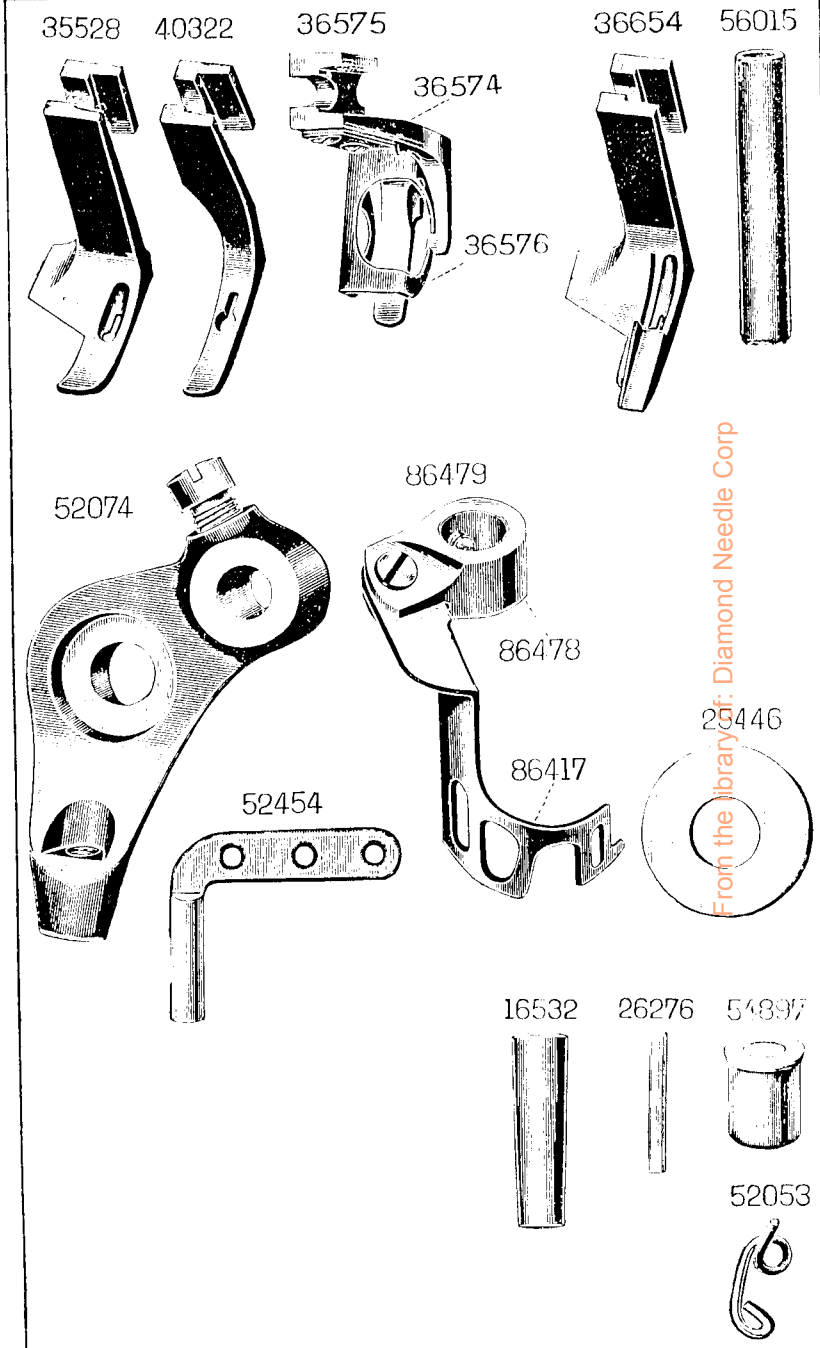
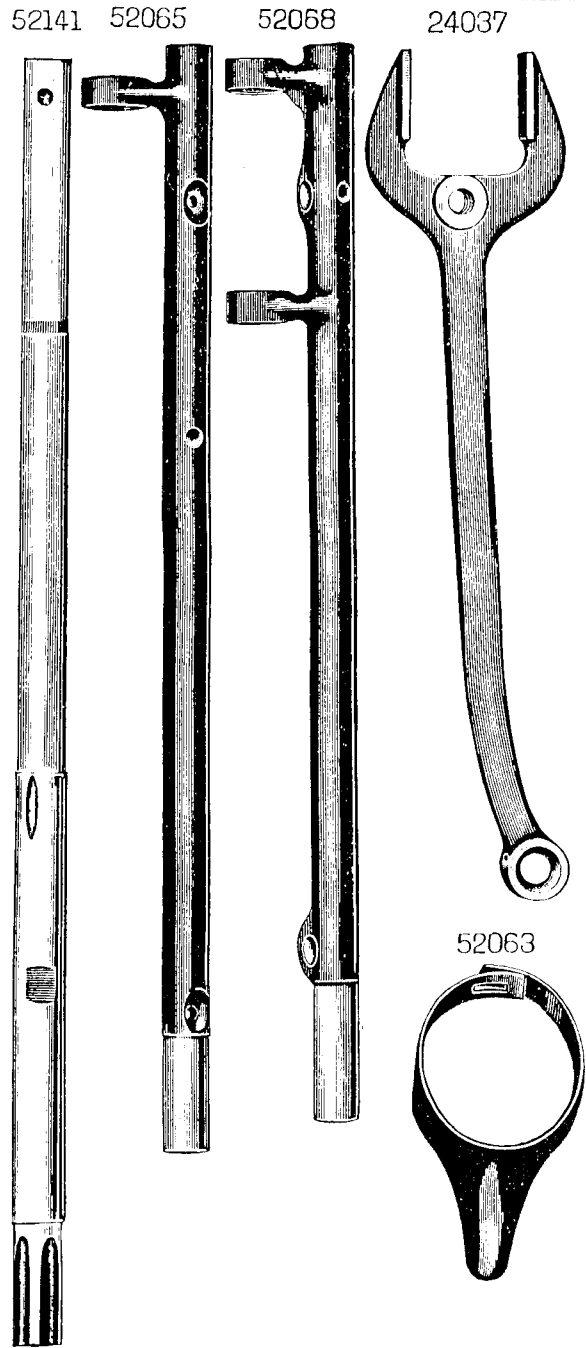




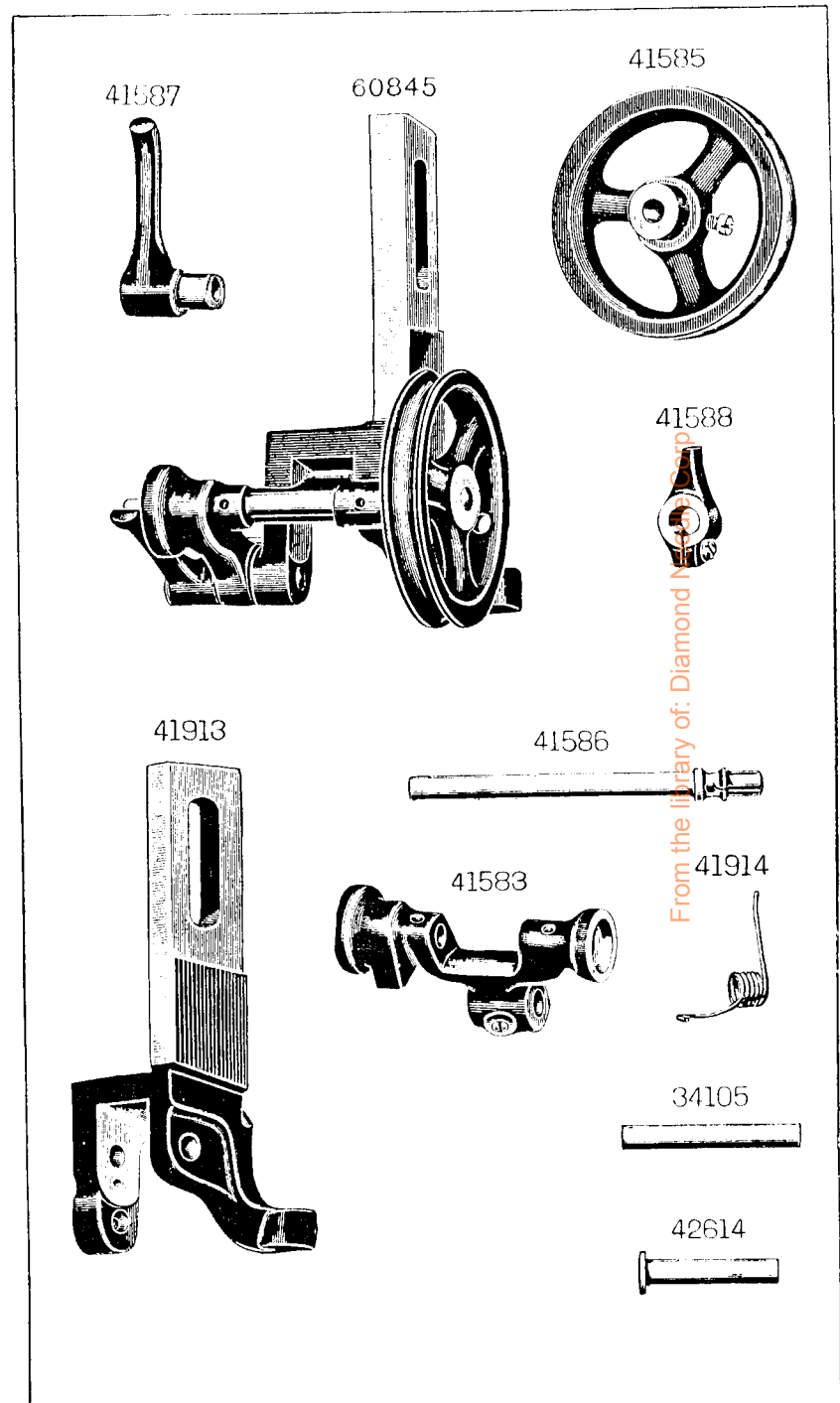
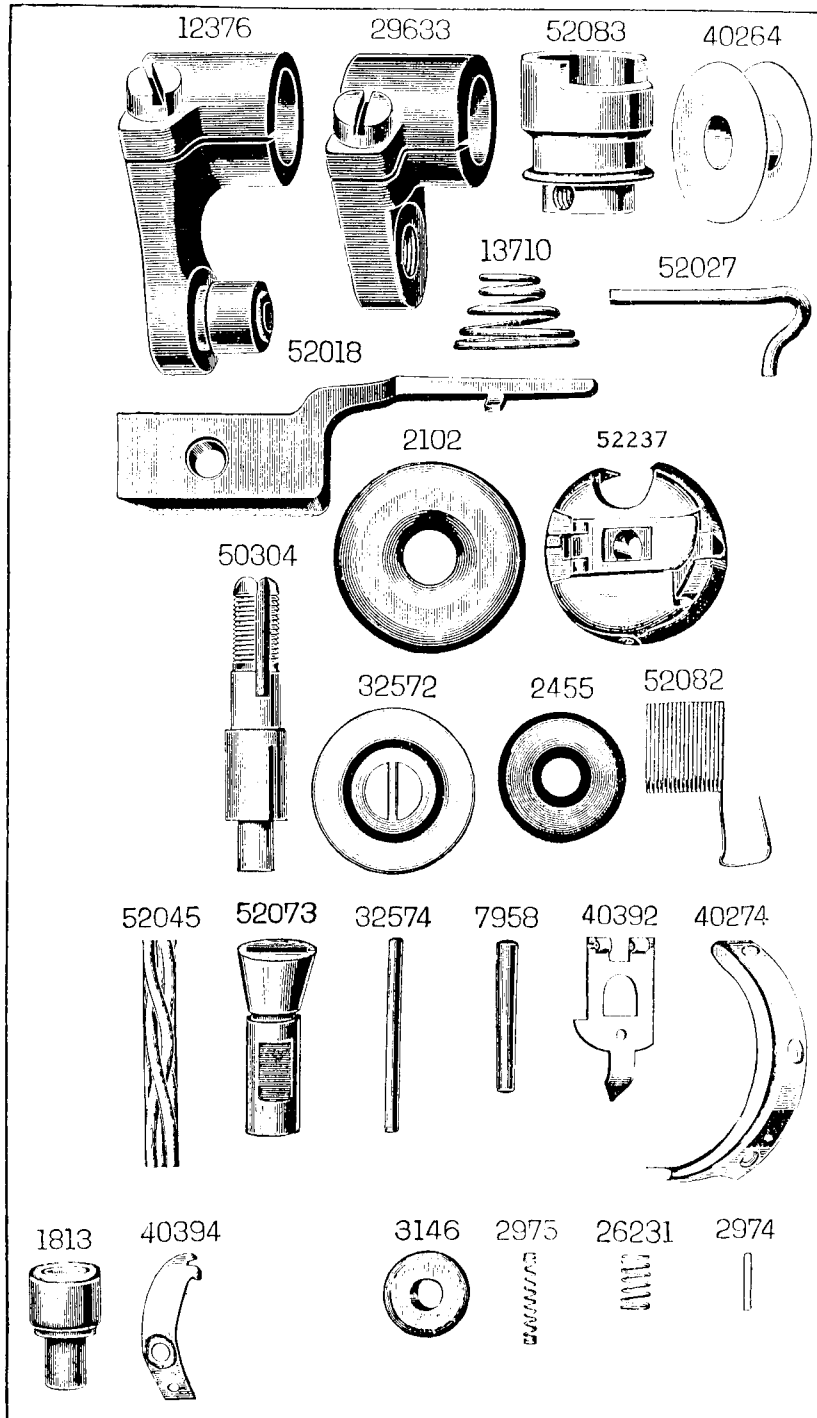


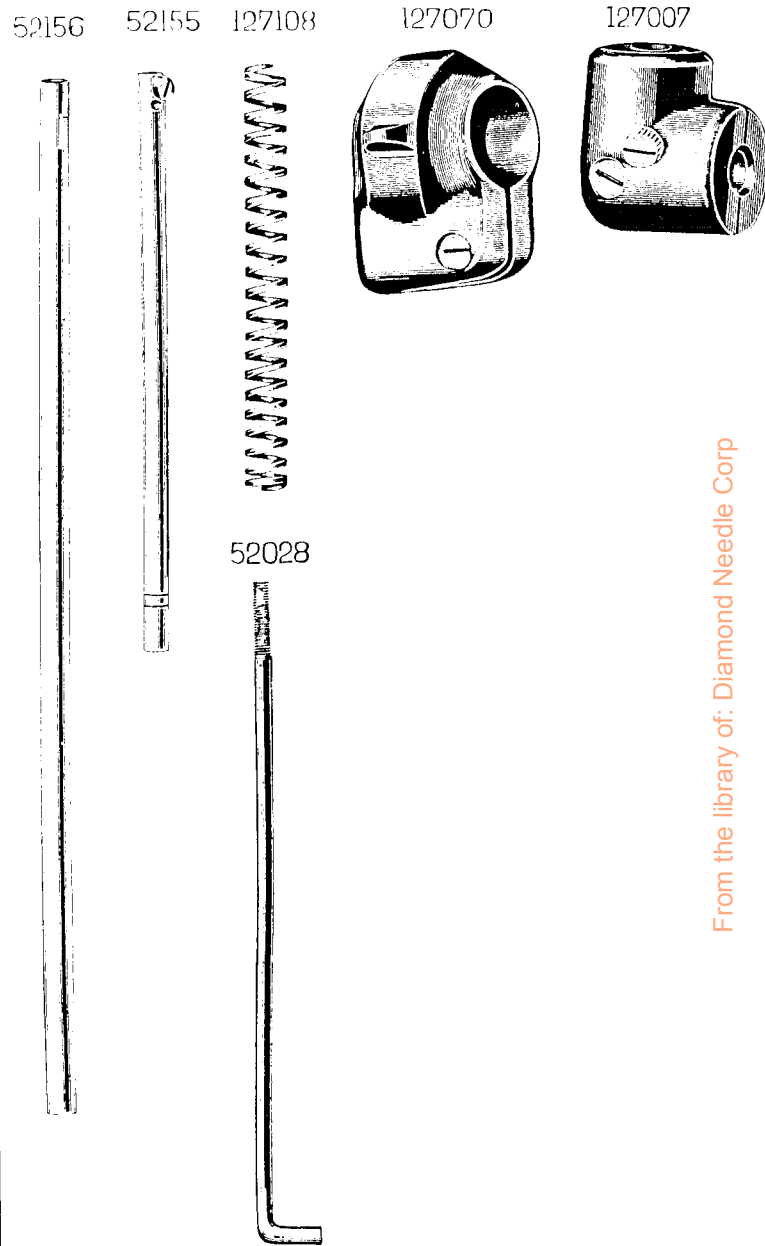
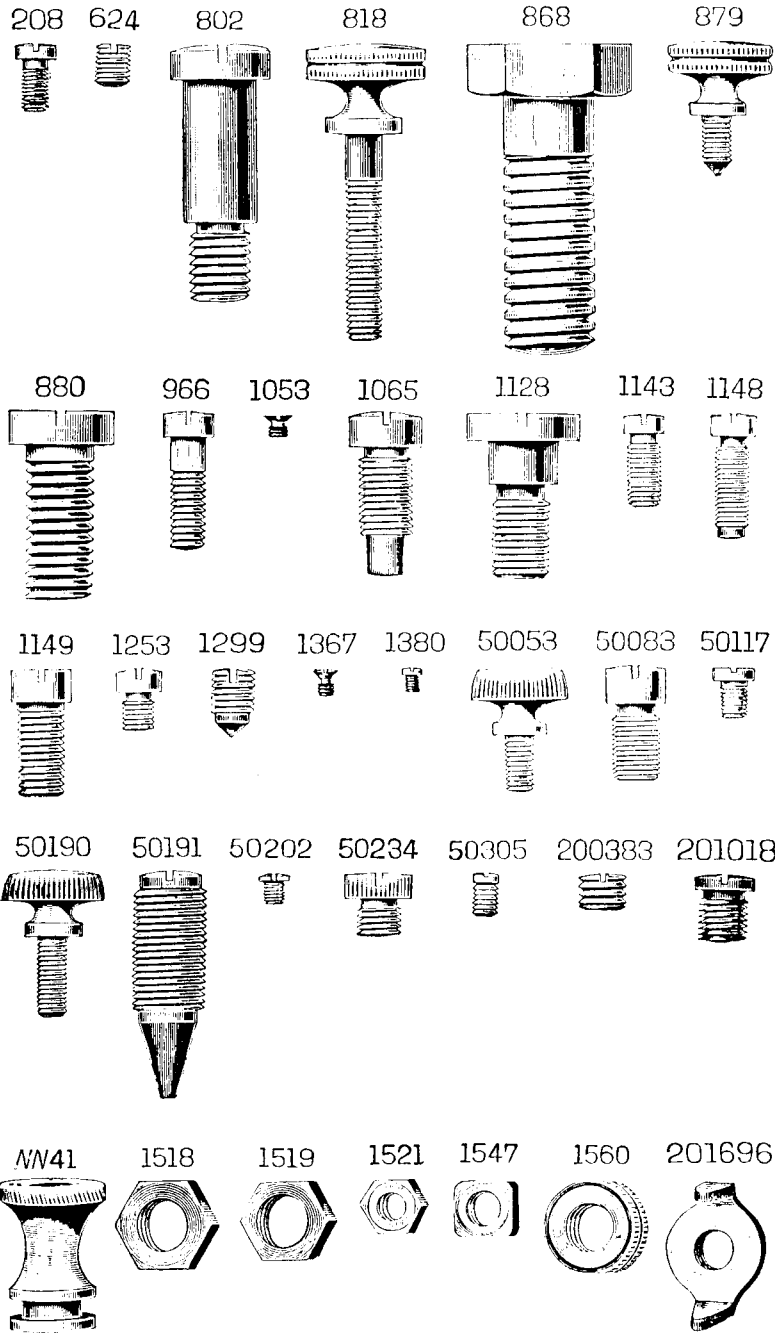


From the library of: Diamond Needle Corp



From the library of: Diamond Needle Corp





From the library of: Diamond Needle Corp

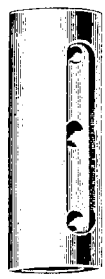
52493



127004



127005



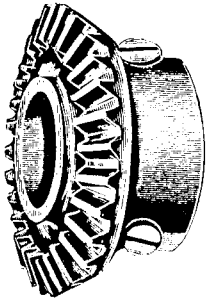
52492



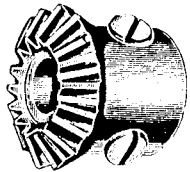
52148



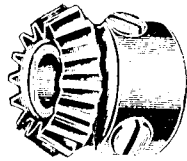
127072



127073



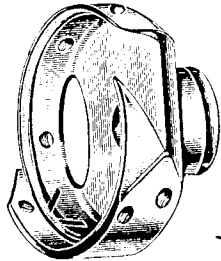
127074



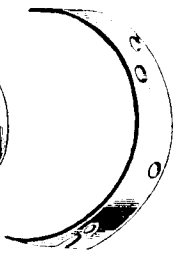
52150



127095



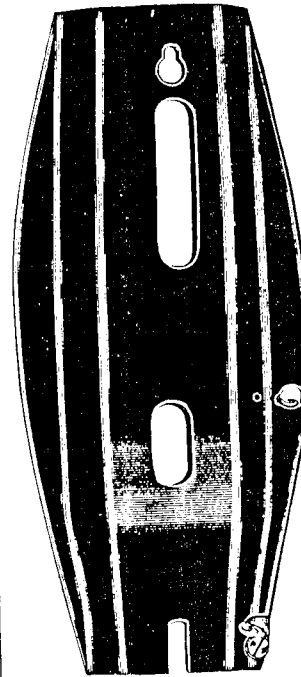
127102



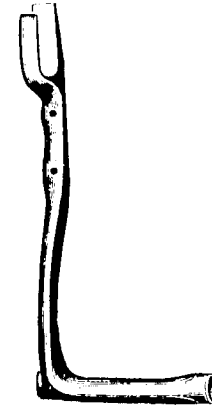
68350



52052



52452



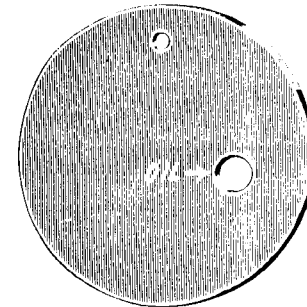
127058



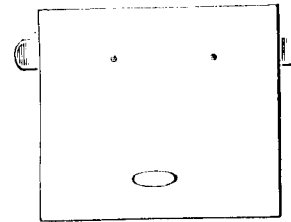
12391



127079



12432



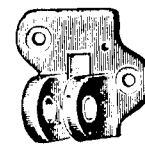
4307



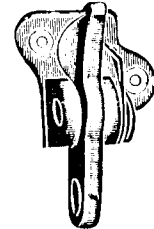
5596



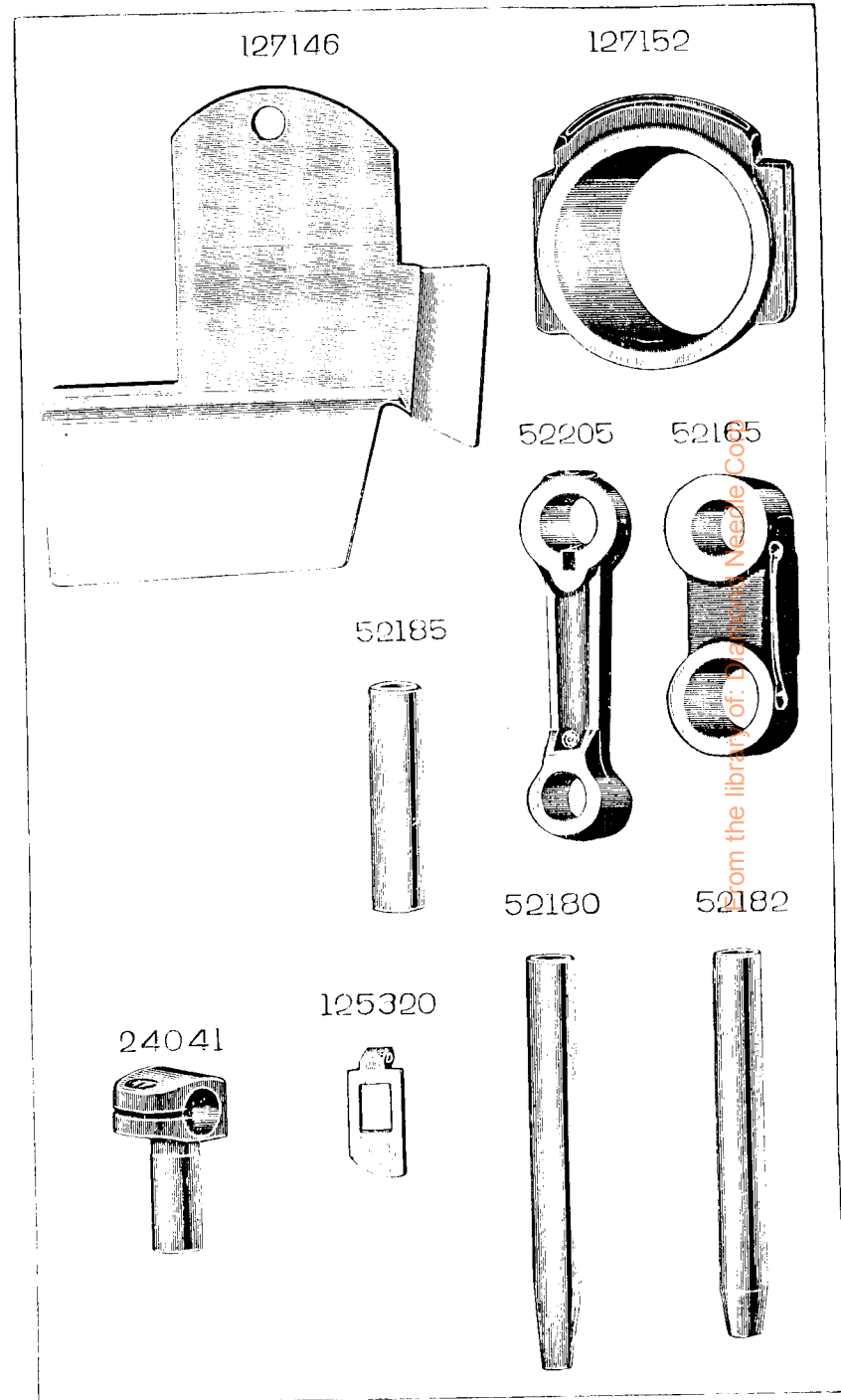
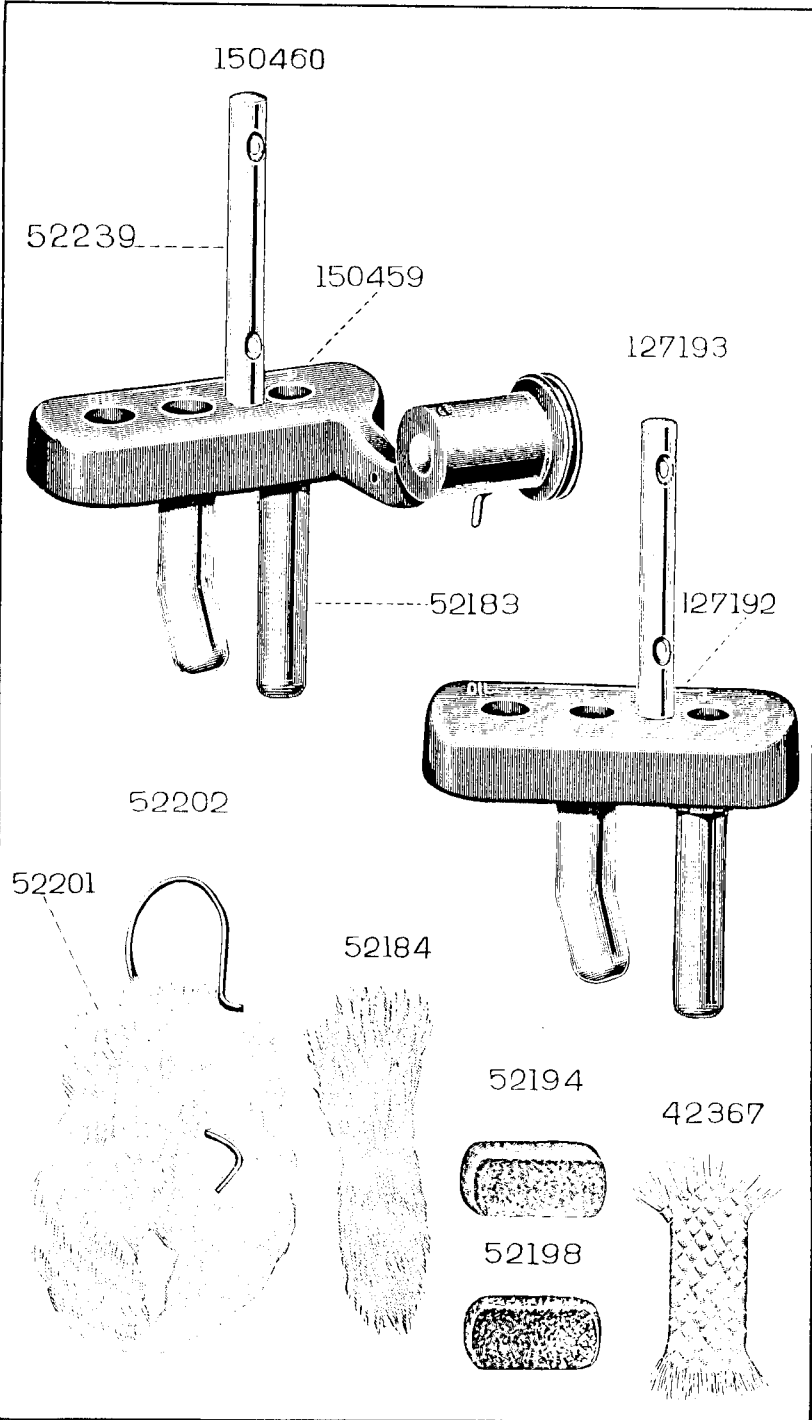
5599



5598

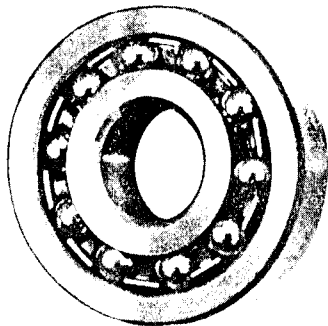


From the library of: Diamond Needle Corp

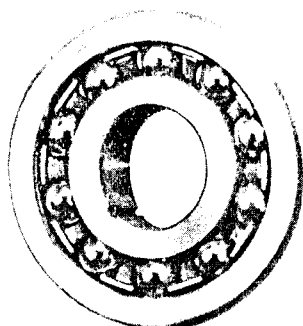


From the library of: [Vintage Sewing Co.](#)

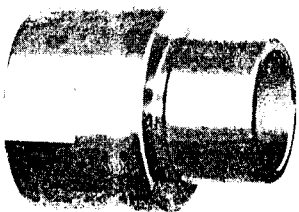
127011



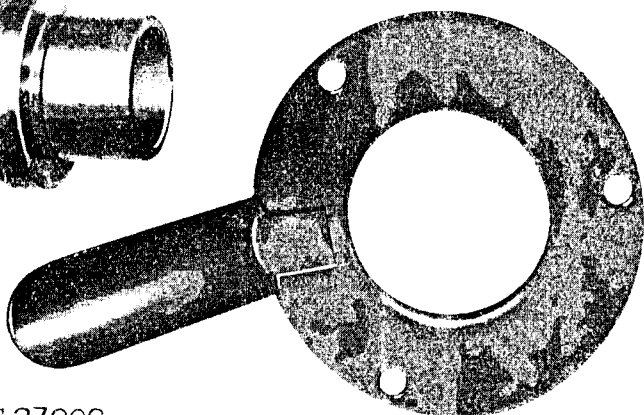
127066



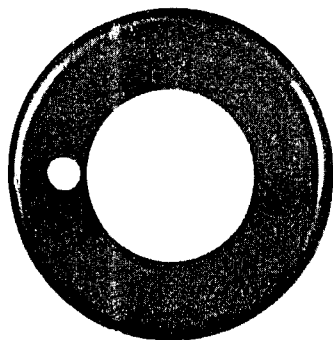
52490



127144



127009



52146



401



52486



52487



127067



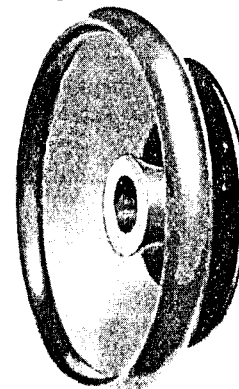
52173



52247

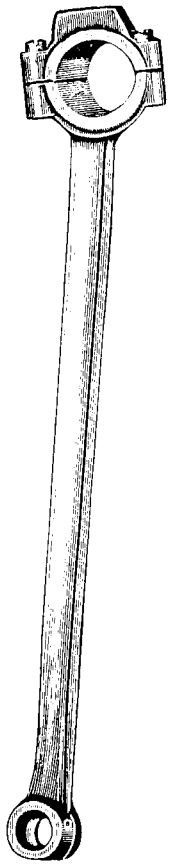


52176

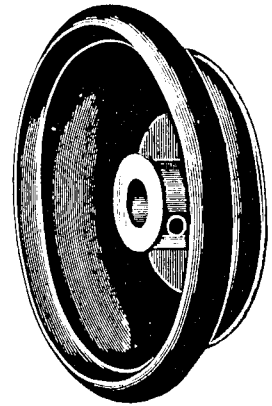


From the library of: Diamond Needle Corp

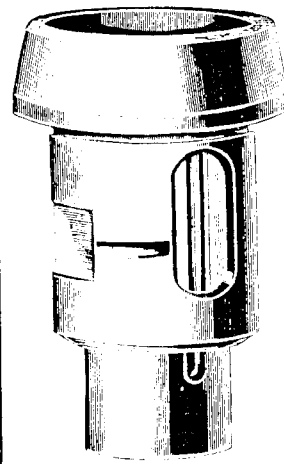
127156



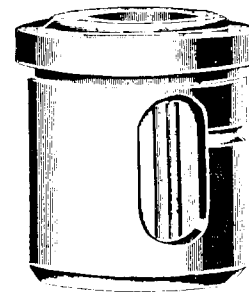
52187



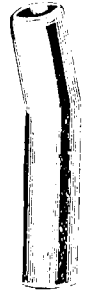
52191



52195



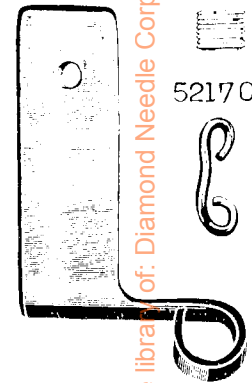
127187



52193



127091



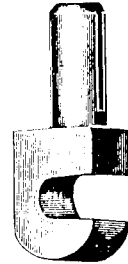
1259



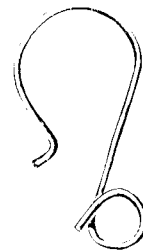
52170



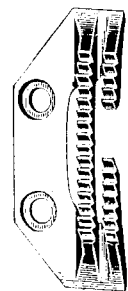
12361



52203



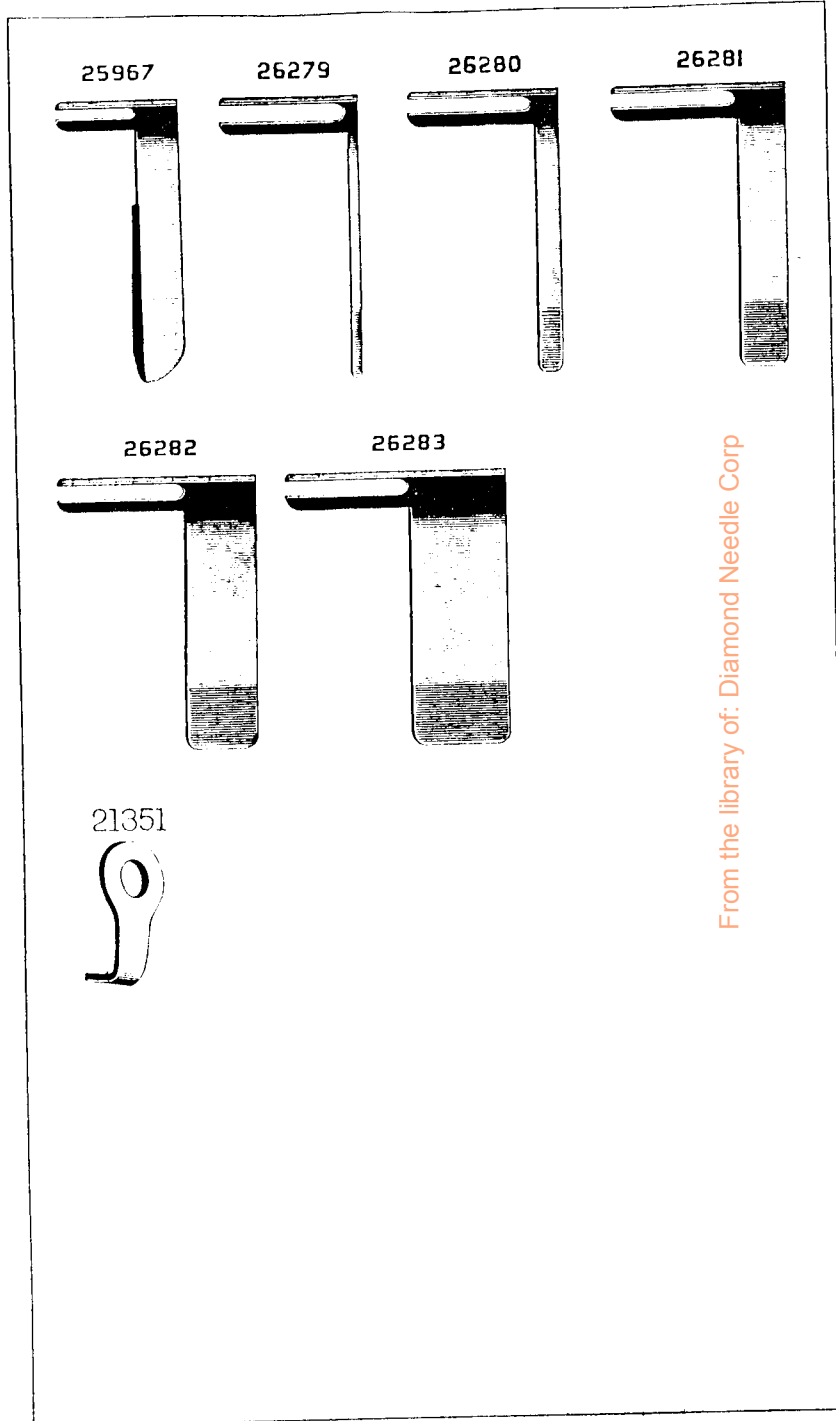
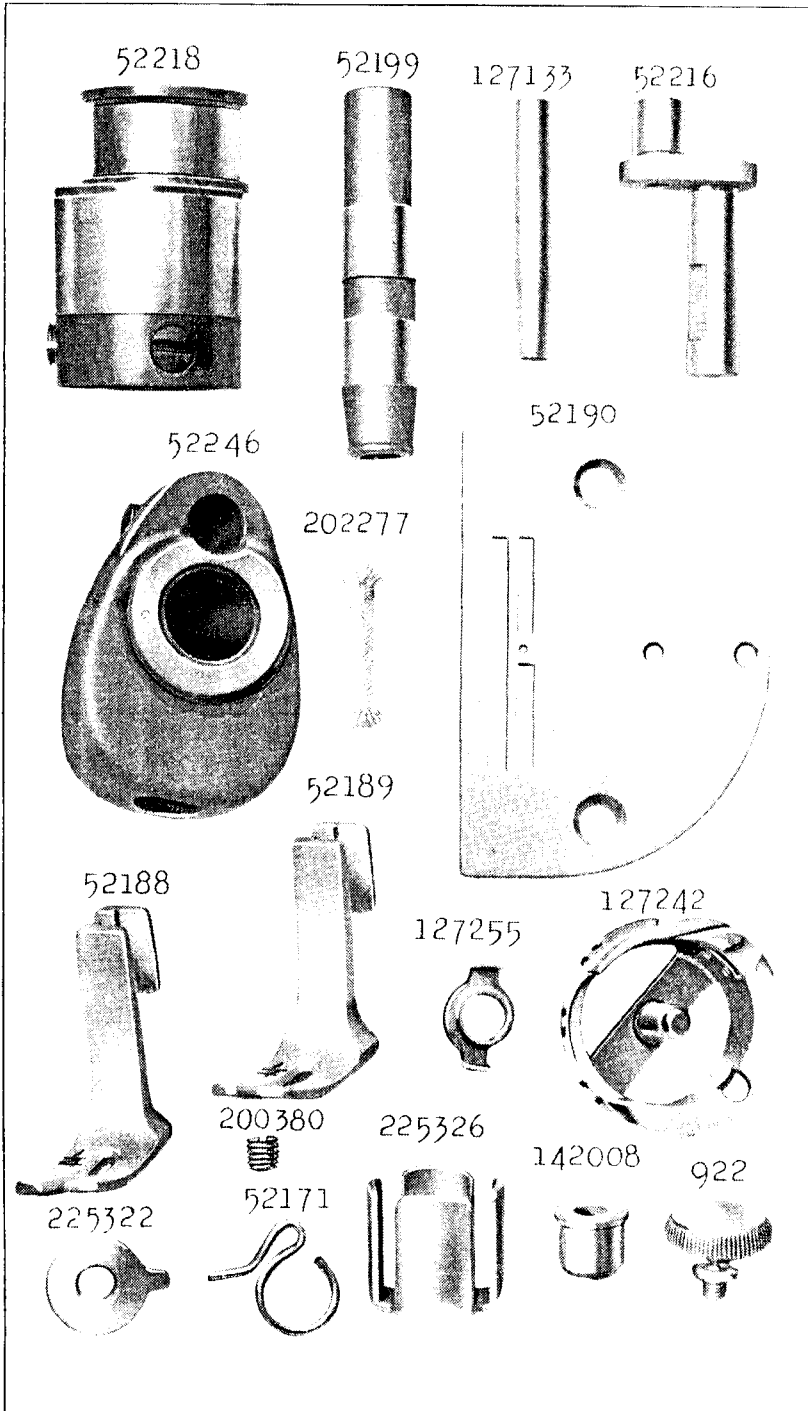
20115



24983

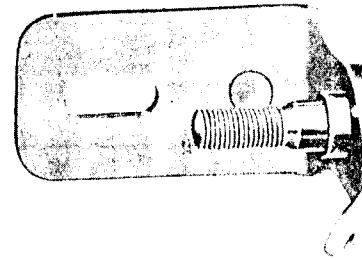


From the library of: Diamond Needle Corp



From the library of: Diamond Needle Corp

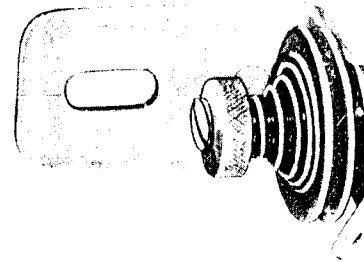
275461



201262 202104



205107



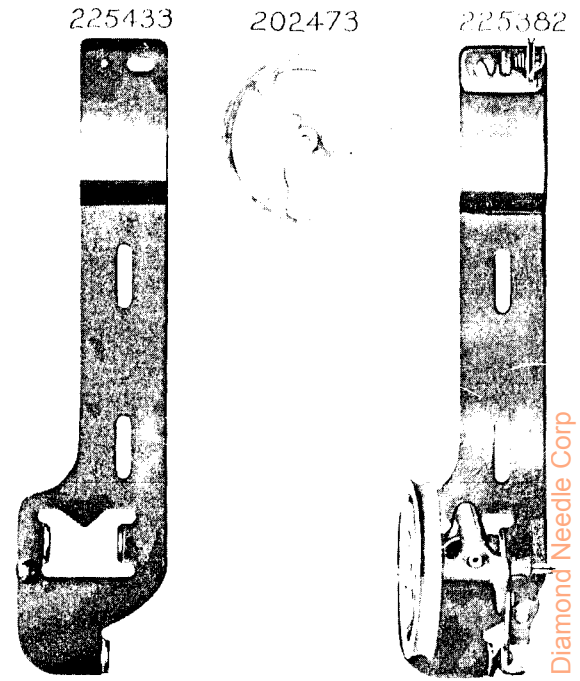
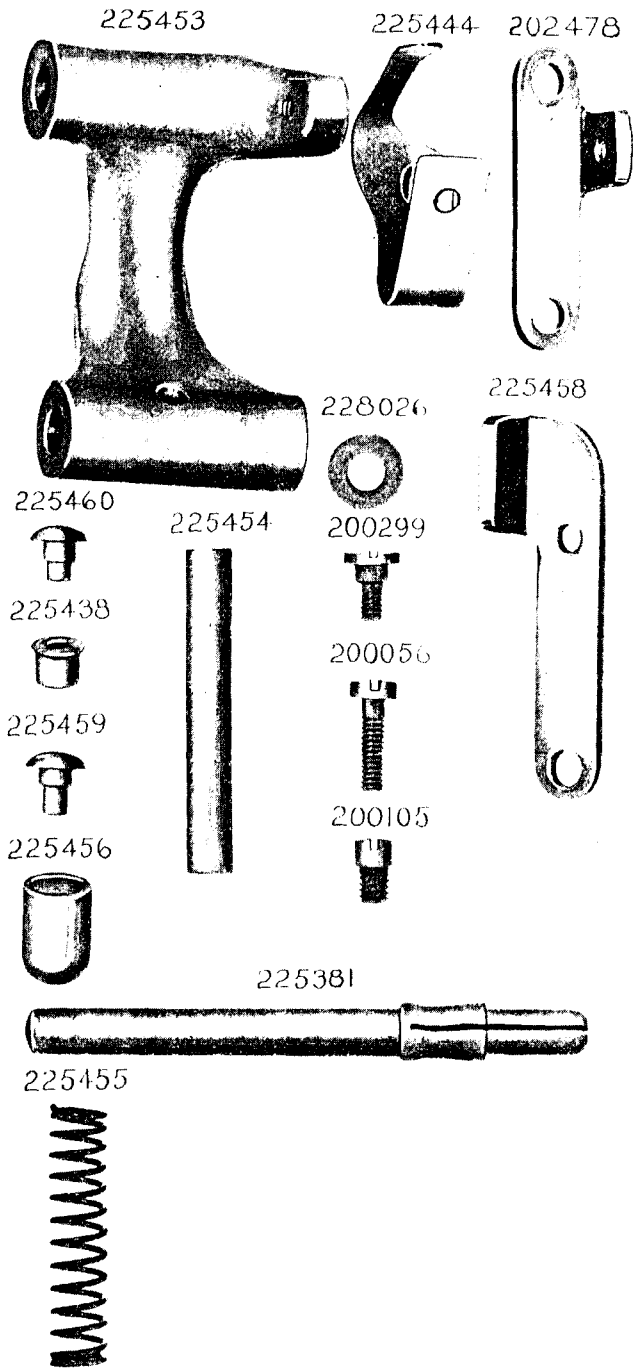
201262



201262



Find the library at: [Diamond.ac.uk](http://www.diamond.ac.uk)



From the library of: Diamond Needle Corp

CONTENTS

	Page
Parts, complete, for 95K40 Machine	65
" special to 95K41 Machine	72
" " " 95K60 " 	73
Accessories	77
Attachments	81
Bobbin Winders	78
Iron Base	77
Knee Lifter	91
Numerical List of Parts	93
Spool Holder	77
Thread Unwinder	92

From the library of: Diamond Needle Corp

INSTRUCTIONS FOR ORDERING

In ordering from this List, the prefix and affix letters with the part number **MUST BE** quoted exactly as they are shown in the first column.

A number always indicates the same part in whatever List it may appear, or for whatever machine.

The affix letters (where shown) indicate the style of finish, as follows:—

- A. Hardened, Polished, Nickel Plated and Buffed.
- A.A. Buffed and Chromium Plated.
- A.B. Hardened, Polished, Buffed and Chromium Plated.
- A.C. Brown Baking Enamel Finish.
- A.D. Grey Baking Enamel Finish.
- A.E. Hardened, Bright Rumbled and Nickel Plated.
- A.F. Hardened, Bright Rumbled and Nickel Plated, Bright Rumbled and Chromium Plated.

- A.L. Heat Treated for Toughness.
- B. Polished, Nickel Plated and Buffed.
- C. Hardened only.
- C.R. Hardened and Merlized.
- D. Polished only.
- E. Soft, not Polished.
- F. Hardened and Polished.
- F.J. Hardened, Polished and Nickel Plated.
- G. Bright Rumbled and Nickel Plated.
- H. Blued.
- J. Nickel Plated only.
- K. Hardened and Nickel Plated.
- L. Brass Plated.
- M. Oxidized.
- N. Japanned, Dull.
- P. Japanned, Bright.
- P.P. Wrinkle Finish.
- R. Merlized.
- S. Cadmium Plated.
- T. Copper Plated.
- T.A. Hardened, Polished, Copper and Nickel Plated and Buffed.
- T.B. Copper and Nickel Plated and Polished.
- T.J. Copper and Nickel Plated only.
- T.K. Hardened, Copper and Nickel Plated.
- T.L. Copper and Brass Plated.
- T.M. Copper Plated and Oxidized.
- U. Zinc Plated.
- V. Silver Plated.
- W. Polished and Nickel Plated.
- X. Black Oxide for Iron and Steel.
- X.C. Hardened and Black Oxide for Iron and Steel.
- Y. Black Nickel Plated only.
- Z. Chromium Plated.
- Z.A. Hardened, Polished, Nickel Plated, Buffed and Chromium Plated.
- Z.B. Polished, Nickel Plated, Buffed and Chromium Plated.
- Z.C. Hardened and Chromium Plated.
- Z.D. Polished and Chromium Plated.
- Z.G. Bright Rumbled, Nickel Plated, Bright Rumbled and Chromium Plated.

- Z.J. Nickel and Chromium Plated.
- Z.T. Copper and Chromium Plated.

Parts marked with an asterisk () are furnished only when the repairs are made at Factory.*

PARTS COMPLETE

FOR

No. 95K40 Machine

**For Light and Medium Weight Fabrics, Maximum Stitch 7 to the inch.
Drop Feed. Knee Lifter.**

No.	Plate	
*52226	—	Arm with 15404, two each 15405 and 56015
16532	2005	Arm Dowel Pin (2)
52182	2066	" Oil Tube, with 52184, for oiling 52205
52183	2064	" " " " 52184, " " 52024, for 127193 and 150460
52180	2066	" " " (long), with 52184, for oiling 52022
52185	2066	" " " (short), " 42367, " " 52022
127187	2382	" " " with 42367, for oiling 127152, for 127193 and 150460
52148	2010	" " " " " " " " " " " " " " "
52149	—	" " " 52148, with 52150, for oiling 127072 and 127074
56015	2005	" " " for oiling 127058 (2)
52150	2010	" " " Packing (braided cotton) for 52149
42367	2064	" " " " (" ") " 52185 and 127187
52184	2064	" " " " (cotton wick) for 52180, 52182, 52183, and 127133
116c	1324	" Screw (back) (2)
868c	2008	" " (front) (2)
52141	2004	Arm Shaft (horizontal)
99547	—	" " (") 52141 with 52246
127072	2010	" " (") Bevel Gear with two 1036c
127070	2009	" " (") " " Case (two pieces) with 121c
121c	1324	" " (") " " " Screw
1036c	969	" " (") " " Set Screw
52191	2382	" " (") Flanged Bushing (back)
52192	—	" " (") " " (") 52191 with 52193 and 52194
52193	2382	" " (") " " (") Oil Pad (braided cotton)
52194	2064	" " (") " " (") Oil Pad (felt)
446c	1324	" " (") " " (") Set Screw
52195	2382	" " (") " " (front)

NOTE:—Due to the accuracy required for gear alignment, Arm cannot be supplied separately and can only be sent out as a unit, Arm and Bed assembled.

From the Library of Diamond Needle Corp.

No.	Plate	
52196	—	Arm Shaft (horizontal) Flanged Bushing (front) 52195 with 52193 and 52198
52198	2064	" " (") " " (") Oil Pad (felt)
52193	2382	" " (") " " (") Oil Pad (braided cotton)
435c	1324	" " (") " " (") Set Screw ...
68350	2010	" " (") Front Bearing Oil Cup (spring lid) ...
144d	1324	" " (") Screw ...
127058	2028	" " (upright) ...
127073	2010	" " (") Bevel Gear (lower) with two 1259c ...
1259c	2382	" " (") " " (") Set Screw ...
127074	2010	" " (") " " (upper) with two 1259c ...
1259c	2382	" " (") " " (") Set Screw ...
52492	2010	" " (") Bushing (lower) ...
432c	1324	" " (") " " (") Set Screw ...
52493	2010	" " (") " (upper) ...
435c	1324	" " (") " " (") Set Screw ...
127146	2066	" Side Cap ...
219d	1324	" " " Screw ...
127079	2028	" " Cover ...
50053d	2008	" " " Thumb Screw ...
52239	2064	" Spool Pin and Thread Eyelet ...
8879	980	" " " Washer (cloth) ...
127192	2064	Arm Top Cover ...
127193	2064	" " " 127192 with 52183, 52239, 127187 and 127255
127255	2383	" " " Positioning Disc ...
158j	1324	" " " Screw ...
150459	2064	" " " Tension Bracket with 460c ...
158j	1324	" " " " " Screw ...
52239	2064	" " " " " Spool Pin ...
8879	980	" " " " " " " Washer (cloth) ...
2455	2006	" " " " " Disc ...
41593	1316	" " " " " Spring ...
41594	1316	" " " " " Stud ...
460c	1324	" " " " " Set Screw ...
41595	1316	" " " " " Thread Guide ...
150460	2064	Arm Top Cover Tension Bracket , complete, Nos. 41593 to 41595, 52183, 52239, 127187, 127255, 150459 and two 2455

NOTE.—No. 150460 is supplied with this machine unless No. 127193 is specified on order.

52187	2381	Balance Wheel (power, disc), 2 $\frac{3}{16}$ " pulley, with two 448c ...
52081	—	" " (stand, heavy rim), 2 $\frac{1}{16}$ " pulley, with two 448c
52063	2004	" " Oil Cover ...

NOTE.—No. 52187 is supplied with this machine unless No. 52081 is specified on order.

No.	Plate	
210d	1324	Balance Wheel Oil Cover Screw ...
448c	1324	" " Set Screw ...
*52154	—	Bed ...
NOTE.—Due to the accuracy required for gear alignment, Bed cannot be supplied separately and can only be sent out as a unit, Arm and Bed assembled.		
12431	—	Bed Slide ...
12432	2028	" " complete, Nos. 4307, 12431 and two 725e ...
4307	2028	" " Spring ...
725e	1324	" " " Screw ...
52051	—	Face Plate ...
52052	2028	" " complete, Nos. 52051, 52053, 52170 and two 226d ...
176d	559	" " Screw ...
52053	2005	" " Thread Guard (lower) ...
226d	1324	" " " (") Screw ...
52170	2382	" " " (upper) ...
226d	1324	" " " (") Screw ...
50190d	2008	" " Thumb Screw ...
52452	2028	Feed Bar ...
313c	1324	" " Screw Centre (2) ...
1519e	2008	" " " " Nut (2) ...
52165	2066	Feed Connecting Link ...
375c	1324	" " " " Hinge Screw ...
1518e	2008	" " " " " Nut ...
52073	2006	" " " " Stud ...
50083c	2008	" " " " " Set Screw ...
52031	967	Feed Dog for shirt work ...
20115	2382	" " " collar and cuff work (16 teeth to the inch, 7 teeth front and 5 back of needle)
50117c	2008	" " Screw (2) ...
NOTE.—No. 52031 is sent with this machine unless another Feed Dog is specified on order.		
52218	2383	Feed and Feed Lifting Eccentric with 448c, 1299c, 52210 and 52211
52231	—	" " " " " 52218 with 127152 ...
52210	—	" " " " " Lubricating Pad (wood, long)
52211	—	" " " " " " " (" short)
1299c	2008	" " " " " Position Screw ...
448c	1324	" " " " " Set Screw ...
127152	2066	" " " " " Sleeve ...

From the library of: Diamond Needle Corp

No.	Plate						
24037	2004	Feed Forked Connection
52085	—	" " "	24037 with 375c, 1518e and 52165
375c	1324	" " "	Hinge Screw
1518e	2008	" " "	" " Nut
52065	2004	Feed Lifting Rock Shaft
52066	—	" " "	complete, Nos. 12376 and 52065
127156	2381	" " "	Connecting Rod with 127157 and two 966e
*127157	—	" " "	" " Cap
966e	2008	" " "	" " Screw
375c	1324	" " "	" " Hinge Screw
1518e	2008	" " "	" " " " Nut
12376	2006	" " "	Crank with 157c and 1813
157c	1324	" " "	" Clamping Screw
1813	2006	" " "	" Roller and Stud
50191c	2008	" " "	Screw Centre (2)
1513j	1317	" " "	" " Nut (2)
52074	2005	Feed Regulator with 50083c
52118	—	" " "	52074 with 52073
52093	—	" " "	52118 with 818d
1128e	2008	" " "	Hinge Screw
818d	2008	" " "	Thumb Screw
52068	2004	Feed Rock Shaft
52069	—	" " "	complete, Nos. 29633 and 52068
29633	2006	" " "	Crank with 157c
157c	1324	" " "	" Clamping Screw
50191c	2008	" " "	Screw Centre (2)
1513j	1317	" " "	" " Nut (2)
25878	1319	Guide
50190b	2008	" Thumb Screw
52155	2009	Needle Bar (hollow) with 857c
52199	2383	" " Bushing (lower)
1133c	969	" " "	(") Set Screw
52014	969	" " "	(upper)
1133c	969	" " "	(") Set Screw
*52205	2066	" " "	Connecting Link with 52207
52206	—	" " "	" 52205 with 24041
775e	969	" " "	" Cap Screw
52207	—	" " "	" Lubricating Pad (wood)
24041	2066	" " "	Stud with 207e
207e	558	" " "	" Clamping Screw
52246	2383	" " "	Crank with 1036c, 1037c and 1065c
1065c	2008	" " "	Position Screw
857c	969	" Set Screw

No.	Plate						
*52201	2064	Oil Absorbent Wick
52202	2064	" " "	52201 with 52203, for lower cavity in head of arm
*52203	2382	" " "	Wire
127133	2383	Oil Tube , with 52184
127091	2382	" " Bracket
52167	—	" " "	127091, with 127133, for oiling 52165
12391	2028	Presser Bar (hollow)
52338	1316	" " Guide Bracket with 223c and 453c
453c	1316	" " "	Set Screw
52016	1316	" " Lifter
689c	1316	" " "	Screw
1520r	1317	" " "	" Nut
12327	1316	" " Lifting and Releasing Lever Bracket
127108	2009	" " Spring
11170	1316	" " "	Washer
62527	—	Presser Foot Hinge Pin
24544	—	" " Plate
24982	—	" " Shank
26231	2006	" " Spring
24983	2382	Presser Foot (spring hinged), complete, Nos. 24544, 24982, 26231 and 62527, for 52031
52188	2383	" " (solid) for cuff work, for 20115
52189	2383	" " (") collar work, for 20115
190d	1324	" " Screw
<i>NOTE.—No. 24983 is sent with this machine unless another Presser Foot is specified on order.</i>							
688j	1324	Pressure Regulating Thumb Screw
127095	2010	Rotating Hook with three 1253c
127096	—	" " 127095 with 127102 and four 1053c
*127239	—	" " 127096 " 40274, 127242 and three 1367d
127240	—	" " 127239 " 52237
127097	—	" " 127096 " 40274 and three 1367d (for agents only)
40264	2006	" " Bobbin
52235	—	" " " Case
52236	—	" " " 52235 with 591f, 1380d and 40394
40393	—	" " " Hinge, Nos. 2974, 40392 and 125320
127242	2383	" " " Holder
52018	2006	" " " Position Bracket
704j	1324	" " " " " " " Screw

From the Jewelers: Diamond Needle Corp

No.	Plate	
40392	2006	Rotating Hook Bobbin Case Latch
125320	2066	" " " " " Lever
2974	2006	" " " " " Fulcrum Pin
2975	2006	" " " " " Spring
592e	1324	" " " " " Stop Screw
591f	1324	" " " " " Tension Regulating Screw
40394	2006	" " " " " Spring
1380d	2008	" " " " " Screw
52237	2006	" " " " " complete, Nos. 592c, 2975, 40393 and 52236
127241	—	" " " " " 52237 with 127242 (for agents only)
40274	2006	" " Section
1367d	2008	" " " Screw
1253c	2008	" " Set Screw
52156	2009	" " Shaft
127073	2010	" " " Bevel Gear with two 1259c
127007	2009	" " " " Case (two pieces) with 121e and 50234d
50234d	2008	" " " " " Plug Screw
121e	1324	" " " " " Screw
1259c	2382	" " " " " Set Screw
127004	2010	" " " Bushing (back)
127043	—	" " " " (") 127004 with 52015
52045	2006	" " " " (") Packing (cotton)
1143c	2008	" " " " (") Set Screw
127005	2010	" " " " (front)
127044	—	" " " " (") 127005 with 52045
142008	2383	" " " " (") Oil Cup
52045	2006	" " " " (") Packing (cotton)
1148c	2008	" " " " (") Set Screw
127102	2010	" " Thread Guard
1053e	2008	" " " " Screw
52337	1316	Slack Thread Regulator
223c	1316	" " " Set Screw
2102	2006	Tension Disc
1560c	2008	" Regulating Thumb Nut
32572	2006	" Releasing Disc
43944	1316	" " Lever
12398	1316	" " " Hinge Pin
12329	1316	" " " Spring
32574	2006	" " Pin
13710	2006	" Spring
50304c	2006	" Stud
50305c	2008	" " Set Screw
52092	—	Tension , complete, Nos. 1560c, 13710, 32572, 32574, 50304c, 52082, 52083 and two 2102

No.	Plate	
52171	2383	Thread Eyelet for 52199
52027	2006	Thread Guard (side of arm)
52454	2005	" Retainer
624c	2008	" " Set Screw
52215	—	Thread Take-up , complete, Nos. 11204, 52025 and 52217
52216	2383	Thread Take-up Crank
52217	—	" " " 52216 with 775e and 52206
1037c	969	" " " Position Screw
1036c	969	" " " Set Screw
52022	969	Thread Take-up Lever with 52130
52023	969	" " " Hinge Pin
52024	969	" " " Link
11204	969	" " " " Hinge Pin
435c	1324	" " " " " Set Screw
52130	—	" " " " Thread Eyelet Bushing
52025	—	Thread Take-up Lever , complete, Nos. 52022 to 52024
52082	2006	Thread Take-up Spring
52083	2006	" " " Regulator with 50305c
448c	1324	" " " " Set Screw
52032	—	Throat Plate , large needle hole, for 52031
52033	967	" " small " " " 52031
52190	2383	" " for 20115
691f	1324	" " Screw (2)
<i>NOTE.—No. 52033 is sent with this machine unless another Throat Plate is specified on order.</i>		
*15404	—	Trade Mark
15405	—	" " Rivet
24079	983	Drip Pan , with four wood screws $\frac{1}{2}$ " No. 5

From the library of Diamond Needle Corp.

PARTS SPECIAL
TO
No. 95K41 Machine

For Collar and Cuff Work, Maximum Stitch 7 to the inch. Drop Feed.
Knee Lifter.

This Machine is the same as 95K40 with the following exceptions:—

No.	Plate	
20163	968	Feed Dog, $\frac{1}{16}$ " stitch
20164	968	" " $\frac{1}{8}$ " "

NOTE.—No. 20164 is sent with this machine unless other Feed Dog is specified on order.

21351	2384	Feed Regulator Thumb Screw Stop
25873	985	Guide (combination)
3146	2006	" Thumb Screw Washer
12435	973	Presser Foot with 228d

NOTE.—No. 12435 is sent with this machine unless another Presser Foot is specified on order.

†12462	1519	Presser Foot, $\frac{3}{16}$ " gauge and above
12463	1519	" " with Strip Guide
12335	973	" " (narrow)
26276	2005	" " Hinge Pin
20133	—	" " Plate
19223	—	" " Shank
†20134	1519	Presser Foot (hinged), complete, for $\frac{3}{16}$ " gauge and above, Nos. 19223, 20133 and 26276
20155	—	Presser Foot Plate
20156	—	" " Shank
20157	973	Presser Foot (hinged), complete, Nos. 228d, 20155, 20156 and 62527
20343	973	Presser Foot with guide on bottom to the right of needle hole
20360	—	Presser Foot Plate
19335	—	" " Shank
20361	1519	Presser Foot (hinged, plain bottom), complete, Nos. 19335, 20360 and 26276
36574	2005	Presser Foot
36575	2005	" " 36574, with 36576 and two 50202d
36576	2005	" " Finger Guard
50202d	2008	" " " " Screw
20123	968	Throat Plate for 20163 and 20164

† NOTE.—When ordering state width of turned edge from seam.

PARTS SPECIAL
TO
No. 95K60 Machine

For Light and Medium Weight Fabrics, Maximum Stitch 8 to the inch.
Drop Feed. Knee Lifter.

This machine is the same as 95K40 with the following exceptions:—

No.	Plate	
*52228	—	Arm with 15404, two each 15405 and 560E5
52173	2312	Arm Shaft (horizontal) with 127067
52204	—	" " (") 52173 with 52214
54897	2005	" " (") Back Bearing Oil Cup (ball type)
52146	2311	" " (") " " Pad (braided cotton)
127011	2311	" " (") Ball-bearing (back)
*127143	—	" " (") " (") Cover
127144	2311	" " (") " (") " 127143 with 127145
*127145	—	" " (") " (") " Oil Lead
219j	1324	" " (") " (") " Screw
52486	2311	" " (") " (") Locking Pin
52487	2311	" " (") " (") " Cone
446c	1324	" " (") " (") " " Screw
127066	2311	" " (") " (front) " "
127009	2311	" " (") " (") Cover
401c	2311	" " (") " (") " Screw
127067	2311	" " (") " (") Key
52490	2311	" " (") Flanged Bushing (back)
448c	1324	" " (") " (") Set Screw
54897	2005	" " (") Front Bearing Oil Cup (ball type)
52146	2311	" " (") " " " Pad (braided cotton)
52176	2312	Balance Wheel (power), 2 $\frac{3}{16}$ " pulley, with two 448c
52247	2312	Needle Bar Crank with 1036c, 1037c and 1065c
52214	—	" " " " 52247 with 401c and 127009

From the library of: Diamond Needle Corp

Iron Base

No.	Plate						
24106	980	Bed Frame Cushion (felt)
158e	1324	" " " Screw
24107	980	" " Hinge Connection
9261	980	" " " " Pin
970d	980	" " Thumb Screw
24108	982	Bed Frame , with 970d, two each 9261, 24107, four each 158e, 24106 and six wood screws 1¼" No. 10

Spool Holder (disc)

FOR 95K41 MACHINE

No.	Plate						
26763	200	Bracket with 219f and 922d
219f	1324	" Screw
922d	2383	" Thumb Screw
19066	200	Spindle
19067	200	" Thread Guiding Disc
691f	1324	" " " " Screw
26764	200	Spool Holder , complete, Nos. 691f, 19066, 19067 and 26763

Accessories

No.	Plate						
40264	2006	Bobbin (5)
12361	2382	Machine Hinge Connection (2)
36569	1319	Oiler
25537	1319	Screw Driver (large)
120378	1319	" " (small)

From the library of: Diamond Needle Corp

Bobbin Winders

BOBBIN WINDER (swinging automatic, left hand) for 40264

No.	Plate	
41913	2007	Bracket with 457c
41583	2007	Frame with 457c
34105	2007	" Hinge Pin
457c	1324	" " " Set Screw
41914	2007	" Spring
41585	2007	Pulley with 171d
171d	1324	" Set Screw
41586	2007	Spindle
41587	2007	Stop Latch
42614	2007	" " Hinge Stud
457c	1324	" " " " Set Screw
7958	2006	" " Stop Pin
41588	2007	" " Tripping Arm with 185h
185h	1324	" " " " Clamping Screw
60845	2007	Bobbin Winder, Nos. 7958, 34105, 41583, 41585 to 41588, 41913, 41914 and 42614
41915	—	Bobbin Winder , complete, Nos. 880e, 25446 and 60845
880e	2008	" " Screw
25446	2005	" " " Washer

This Bobbin Winder is sent with machine unless otherwise specified on order.

BOBBIN WINDER (swinging automatic, right hand) for use with Individual Motor

Arm Top Cover Tension Bracket No. 127193 is supplied in place of No. 150160 when this Bobbin Winder is fitted to machine.

No.	Plate	
41339	1687	Base
41340	1687	Frame
1429d	1688	" Hinge Screw
41341	1687	" Spring
207d	558	" " Screw
41342	1687	Pulley with 200f
200f	1688	" Set Screw
41343	1688	Spindle
27306	1688	Spool Pin
27307	1687	" Stand
†27308	1687	" " complete, Nos. 418e, 1562j, 2106, 10141, 11241, 27306, 27307, two each 2455 and wood screws 1" No. 10
11241	1687	Spool Washer (cloth)
41344	1688	Stop Latch
41345	1688	" " Finger
152f	1688	" " " Screw
1430d	1688	" " Hinge Screw
1550h	1688	" " " " Nut
41346	1688	" " Lever
1430d	1688	" " " Hinge Screw
2455	1688	Tension Disc
1562j	1688	" Regulating Thumb Nut
418e	1688	" Screw Stud
10141	1688	" Spring
2106	1688	" Thread Guide
60456	—	Bobbin Winder, Nos. 152f, 207d, 1429d, 1550h, 41339 to 41346 and three 1430d
41347	1687	Bobbin Winder, 60456, with two each 9331 and wood screws 1" No. 10 R.H.B.
41348	—	Bobbin Winder (swinging automatic, right hand), complete, Nos. 27308 and 41347
—	—	Bobbin Winder Screw (wood) 1" No. 10 R.H.B.
9331	1688	" " " Washer

†As No. 27308 can be supplied either Plated or Japanned, it is necessary, when ordering, to state which is required.

From the library of: Diamond Needle Corp.

BOBBIN WINDER (swinging automatic, right hand), for machines when used on Power Table

Arm Top Cover Tension Bracket No. 127193 is supplied in place of No. 150160 when this Bobbin Winder is fitted to machine.

No.	Plate	
225433	10885	Bobbin Winder and Tension Bracket Base
225453	10884	Frame with 202277 and 225438
225454	10884	" Hinge Pin
202277	2383	" Oil Packing (wick)
225438	10884	" " Well Cap
225455	10884	" Spring
225456	10884	" " Plunger
202473	10885	Pulley with 200380c
200380c	2383	" Set Screw
225381	10884	Spindle
225444	10884	Stop Latch
200056e	10884	" " Screw
225458	10884	" " Thumb Lever
225459	10884	" " " " Hinge Stud
225459	10884	" " " " Joint Stud
202478	10884	" " Trip Lever
200299h	10884	" " " " Hinge Screw
225461	10881	Tension Bracket with 201499j
200082d	10881	" " Screw
228026	10884	" " " Washer
2102	2006	" Disc
13710	2006	" Spring
201499j	10881	" Stud
201572j	10881	" " Thumb Nut
225462	10881	Tension Bracket, complete, Nos. 13710, 201572j, 225461 and two 2102
225382	10885	Bobbin Winder , complete, Nos. 200056e, 200082d, 200299h, 202473, 202478, 225381, 225433, 225444, 225453 to 225456, 225458, 225462, 228026, two each 225459 and wood screws $\frac{3}{4}$ " No. 12 R.H.B.

Attachments

When ordering Binders send sample of the binding and of the material to be bound.

BINDER for Cap Peak Work

No.	Plate	
85678	559	Feed Dog
85459	559	Folder Base
85460	559	" (top)
207d	558	" (") Binding Screw
85461	—	" (bottom)
SS50d	186	" (") Binding Screw
85462	559	" Roller Guide, Nos. 701d, 85463 and 85464
SS50d	186	" " " Binding Screw
85463	—	" " " Bracket
85464	—	" " " Roller
701d	1324	" " " " Screw
176d	559	" Screw (to fasten to machine)
85325	186	" " Washer
85458	559	Folder, complete, Nos. 85459 to 85462, two 207d and four SS50d
85679	559	Presser Foot
85680	559	Throat Plate
85681	559	Binder , complete, Nos. 85458, 85678 to 85680, two each 176d and 85325

From the library of: Diamond Needle Corp

BINDER for Cardigan Jackets

No.	Plate	
85682	558	Feed Dog
85336	—	Folder Base
85337	—	" Folding Plate (top)
85338	—	" " " (bottom)
233d	1324	" " " Screw for 85337 and 85338
SS50d	186	" Screw
85325	186	" " Washer
85335	—	Folder, complete, Nos. 85336 to 85338 and four 233d

No.	Plate	
85683	558	Presser Foot
85324	—	Tape Tension Pin (bent)
85323	—	" " " (straight)
85340	—	" " Plate
85339	558	" " complete, Nos. 85324, 85340 and four 85323
207d	558	" " Screw
85325	186	" " " Washer
85684	558	Throat Plate
85685	558	Binder , complete, Nos. SS50d, 207d, 85335, 85339, 85682 to 85684 and two 85325

BINDER, 1/2", for General Work

No.	Plate	
85686	558	Feed Dog
85320	558	Folder
SS50d	186	" Screw
85325	186	" " Washer
85687	—	Presser Foot Bracket
85688	—	" " " Hinge Pin
85689	—	" " Sole
85690	558	" " (hinged), complete, Nos. 85687 to 85689
85324	—	Tape Tension Pin (bent)
85323	—	" " " (straight)
85322	—	" " Plate
85321	557	" " complete, Nos. 85322, 85324 and eight 85323
SS50d	186	" " Screw
85325	186	" " " Washer
85691	558	Throat Plate
85692	558	Binder , complete, Nos. 85320, 85321, 85686, 85690, 85691, two each SS50d and 85325

BINDER, 1/2", for Stay Work

No.	Plate	
85693	557	Feed Dog
85614	—	Folder
SS65d	1324	" Screw
85694	—	Presser Foot Bracket
85616	—	" " " Hinge Pin
85695	—	" " Sole
85696	557	" " (hinged), complete, Nos. 85616, 85694 and 85695
85324	—	Tape Tension Pin (bent)
85323	—	" " " (straight)
85322	—	" " Plate
85321	557	" " complete, Nos. 85322, 85324 and eight 85323
SS50d	186	" " Screw
85325	186	" " " Washer
85697	557	Throat Plate
85698	557	Binder , complete, Nos. SS50d, SS65d, 85321, 85325, 85614, 85693, 85696 and 85697

BINDER, 1/2", for Stay Work

No.	Plate	
85699	186	Base
85597	186	Binder
85324	—	Tape Tension Pin (bent)
85323	—	" " " (straight)
85700	186	Binder and Tension only, complete, Nos. 85324, 85597, 85699 and nine 85323
SS50d	186	" " Screw
85325	186	" " Washer
85701	186	Feed Dog
85702	—	Presser Foot Bracket
85703	—	" " " Hinge Pin
85704	—	" " Sole
85705	186	" " (hinged), complete, Nos. 85702 to 85704
85706	186	Throat Plate
85707	186	Binder , complete, Nos. SS50d, 85325, 85700, 85701, 85705 and 85706

ATTACHMENTS

BINDER, $\frac{3}{16}$ " for Stay Work

No.	Plate							
85711	187	Base
85603	187	Binder
85604	187	Folder
207d	558	" Screw
85325	186	" " Washer
85605	187	Tape Guide
85606	187	" " Bracket
207d	558	" " " Screw
85325	186	" " " Washer
207d	558	" " " Screw
85325	186	" " " Washer
85607	—	" Tension Pin
85712	187	Binder Folder and Tension only, complete, Nos. 85603 to 85606, 85711, three each 207d, 85325 and seven 85607						
SS50d	186	Binder Screw
85325	186	" " Washer
85701	186	Feed Dog
85702	—	Presser Foot Bracket
85703	—	" " " Hinge Pin
85704	—	" " Sole
85705	186	" " (hinged), complete, Nos. 85702 to 85704
85706	186	Throat Plate
85713	187	Binder , complete, Nos. SS50d, 85325, 85701, 85705, 85706 and 85712						

BRAIDER FOOT (long shank, adjustable)

No.	Plate							
86179	—	Braider Foot
86176	—	" " Guide (wire)
SS182d	1324	" " " Screw
86180	560	Braider Foot , complete, Nos. 86179, two each SS182d and 86176						
86178	560	Braider Foot

ATTACHMENTS

When ordering *Corders*, state size or number of cords to the inch.

CORDER (adjustable), for Fine Cording

No.	Plate							
85842	560	Base
85843	560	Finger Arm
85844	560	" " Adjustable Bracket
85845	—	" " " " Block
393c	1324	" " " " Screw
316c	1324	" " " " Screw Centre
1547d	2008	" " " " " Nut
NN41d	2008	" " " " Thumb Nut
50053d	2008	" " " " Set Screw
85846	560	Corder only, complete, Nos. NN41d, 393c, 50053d, 85842 to 85845, two each 316c and 1547d						
85864	560	Feed Dog
85865	560	Presser Foot
85866	560	Throat Plate
85867	560	Corder , complete, Nos. SS50d, 85846 and 85864 to 85866						
SS50d	186	" Screw (to fasten to machine)

CORDER (bow), for Top Cording

No.	Plate							
85868	201	Corder Bow
85869	201	Presser Foot
759d	1324	" " Thumb Screw
85870	201	Corder (bow) , complete, Nos. 759d, 85868 and 85869						

CORDER for Top Cording

No.	Plate	
85783	—	Base
85871	—	Guide Finger with 85414, 85872 and two 85416
SS28b	1324	" " Adjusting Screw
85414	—	" " Eyelet
85413	—	" " Hinge Pin
879d	2008	" " Locking Thumb Screw
85872	—	" " Tip
85416	—	" " " Rivet
85873	200	Corder only, complete, Nos. SS28b, 879d, 85413, 85783 and 85871
85874	200	Presser Foot
85875	200	Corder , complete, Nos. SS44d, 85412, 85873 and 85874
SS44d	200	" Screw (to fasten to machine)
85412	200	" " Washer

CORDER GUIDE (adjustable)

No.	Plate	
85382	—	Extension Guide
228d	1324	" " Screw
85876	—	Presser Foot
85877	560	Corder Guide , complete, Nos. 228d, 85382 and 85876
85881	562	Cording and Hemming Foot
86182	562	Cording Foot (grooved on right side)

CRIMPING SET

No.	Plate	
85882	557	Feed Dog
85883	—	Presser Foot
85391	—	" " Spring
219d	1324	" " " Screw
85884	557	" " complete, Nos. 219d, 85391 and 85883
85885	557	Throat Plate
85886	557	Crimping Set , complete, Nos. 85882, 85884 and 85885

FELLING FEET

No.	Plate	
85896	201	Felling Foot, $\frac{3}{16}$ " fell
85897	562	" " (steel), $\frac{3}{16}$ " fell

FINGER GUARD

No.	Plate	
86417	2005	Finger Guard
102d	1324	" " Binding Screw
86478	2005	" " Bracket with 207f
207f	558	" " " Screw
86479	2005	Finger Guard , complete, Nos. 102d, 86417 and 86478

GATHERING FEET

No.	Plate	
85955	562	Gathering Foot
86193	560	" " (slotted)

HEMMERS

When ordering hemmers state width of hem in addition to the part number.

No.	Plate	
86005	88	Hemmer ($\frac{3}{16}$ " to $\frac{7}{8}$ " in grades of $\frac{1}{16}$ ")
86008	88	" (1" to 1 $\frac{1}{4}$ " in grades of $\frac{1}{8}$ ")
86010	88	" (1 $\frac{3}{8}$ " and 1 $\frac{1}{2}$ ")
85447	88	" Base with SS54e
SS54e	1324	" " Stud Screw
NN40d	88	" " " " Thumb Nut
85448	88	" " " " " Washer
85446	—	Hemmer Base , complete, Nos. NN40d, 85447 and 85448

HEMMER FEET

No.	Plate	
86025	562	$\frac{1}{16}$ " to $\frac{9}{32}$ " hem, in grades of $\frac{1}{32}$ "
86537	—	$\frac{1}{16}$ " , flat sole
86538	—	$\frac{3}{32}$ " , " "
86539	1931	$\frac{1}{8}$ " , " "
86540	—	$\frac{5}{32}$ " , " "
86541	—	$\frac{3}{16}$ " , " "
86542	—	$\frac{7}{32}$ " , " "
86543	—	$\frac{1}{4}$ " , " "

HEMMER FEET—Contd.

No.	Plate						
86544	—	$\frac{1}{16}$ "	flat sole, with groove
86545	—	$\frac{3}{32}$ "	" " " "
86546	1931	$\frac{1}{8}$ "	" " " "
86547	—	$\frac{5}{32}$ "	" " " "
86548	—	$\frac{3}{16}$ "	" " " "
86549	—	$\frac{7}{32}$ "	" " " "
86550	—	$\frac{1}{4}$ "	" " " "

PRESSER FOOT

No.	Plate						
86188	958	Presser Foot (narrow)	for narrow tucking

PRESSER FOOT EXTENSIONS
for 95K41 Machine

No.	Plate						
26279	2384	Presser Foot Extension,	$\frac{1}{16}$ "
26280	2384	" " "	$\frac{1}{4}$ "
26281	2384	" " "	$\frac{1}{2}$ "
26282	2384	" " "	$\frac{3}{4}$ "
26283	2384	" " "	$\frac{1}{2}$ "
228d	1324	" " "	Screw for 20157
25967	2384	" " "	Strip Gauge
228d	1324	" " "	Screw for 12435

QUILTER

No.	Plate						
86041	958	Clamp with 207d
207d	558	" Screw
86042	958	Rod
86043	958	Quilter, complete, Nos. 86041 and 86042

TUCKERS (long arm)

No.	Plate						
36387	1315	Space Guide
35510	1315	" " Base with 35512, 35514 and two 1426e
402d	1317	" " " Screw
35511	1317	" " Indicator

TUCKERS (long arm)—Contd.

No.	Plate						
35512	1317	Space Guide Pin
35513	1317	" " Stop (left)
35514	1317	" " " (") Guide Pin
1426e	1317	" " " (") Screw Stud
1657d	1317	" " " (") Thumb Nut
17718	1317	" " " (") " " Washer
35515	1317	" " " (right)
1426e	1317	" " " (") Screw Stud
1657d	1317	" " " (") Thumb Nut
17718	1317	" " " (") " " Washer
50053d	2008	" " Thumb Screw
36388	—	Space Guide, complete, Nos. 35510, 35511, 35513, 35515, 36387, 50053d, two each 1657d and 17718
35517	1309	Tuck Guide Arm
1177d	1317	" " " Screw
35518	1309	" " Base
50134e	1317	" " " Screw Stud
36389	1309	" " Bracket
307c	1317	" " " Screw Centre
1513j	1317	" " " " " Nut
36390	1317	" " " Spring
36391	1315	" " " " Plate
9d	1317	" " " " Screw
423c	1317	" " " Stop Screw
1520r	1317	" " " " " Nut
36392	1309	" " Frame
36393	1317	" " " Spring
1510e	1317	" " " " Nut
35524	1317	" " " " Washer
803c	1317	" " " Stop Screw
1520r	1317	" " " " " Nut
35511	1317	" " Indicator
35525	1309	" " Plate
1115f	1317	" " Screw
36394	—	Tuck Guide, complete, Nos. 9d, 423c, 803c, 1510e, 35511, 35517, 35518, 35524, 35525, 36389 to 36393, 50134e, two each 307c, 1115f, 1177d, 1513j, 1520r and three wood screws $1\frac{1}{4}$ " No. 10
36395	—	Tucker (long arm), complete, Nos. 35528, 36388, 36394 and two 402d
52031	967	Feed Dog, for shirt work

From the library of Diamond Needle Corp.

TUCKERS (long arm)—Contd.

No.	Plate	
35528	2005	Presser Foot (wide) for 36395
40322	2005	" " (narrow) for 36395
36654	2005	" " for tucking shirt bosoms, for 36670
52032	---	Throat Plate, large needle hole, for 52031
52033	967	" " small " " " 52031
36670	---	Tucker (long arm), complete, for pin tucking, Nos. 36388, 36394, 36654 and two 402d

Knee Lifter

No.	Plate	
5596	2028	Bell Crank
5598	2028	" " 5596 with 5599, 5601 and 5735
5599	2028	" " Bracket
178e	1324	" " " Screw
5601	980	" " Hinge Pin
5735	980	" " Spring
16510	959	Lifting Lever with 448c
52028	2009	" " Connecting Rod
12416	980	" " " " " Joint
76d	1324	" " " " " Hinge Screw
1521e	2008	" " " " " Lock Nut
802d	2008	" " Hinge Screw
12241	980	" " Link
766d	1324	" " " Hinge Screw
12240	980	" " Pin
448c	1324	" " " Set Screw
2763	959	Rock Shaft
97502	959	" " Bracket
---	---	" " " Screw (wood) 1" No. 10
2765	959	" " Knee Arm
2768	---	" " " " 2765 with 2766 and 2767
2766	959	" " " " Hub with 356c
356c	1324	" " " " " Set Screw
2767	959	" " " " Plate with 356c
356c	1324	" " " " " Set Screw
6337	959	" " Lifting Bracket with two 356c
2778	959	" " " " " Hook
356c	1324	" " " " " Set Screw
356c	1324	" " " " " Set Screw
2770	959	" " Stop Dog with 356c
356c	1324	" " " " " Set Screw
84789	959	Rock Shaft, complete, Nos. 2763, 2768, 2770, 2778, 6337, two 97502 and four wood screws 1" No. 10
84769	---	Knee Lifter , complete, Nos. 76d, 766d, 802d, 1521e, 5598, 12240, 12241, 12416, 16510, 52028, 84789 and two 178e

Thread Unwinder

For Two Spools of Thread

No.	Plate						
225257	1621	Spool Rest with 201018c
150203	—	" " Cushion (felt)
225388	1621	" " Rod
200383c	2008	" " " Set Screw
201018c	2008	" " " Set Screw
202490	1621	" Stand with 200383c
225391	1621	Thread Guide
201696j	2008	" " Lock Nut
225326	2383	" " Position Cup
225324	1621	" " Rod with 208e and 225322
208e	2008	" " " Screw
225322	2383	" " " Washer
225258	1621	Thread Unwinder, complete, Nos. 201696j, 202490, 225257, 225324, 225326, 225388, two each 150203, 225391 and three wood screws $\frac{3}{8}$ " No. 12
27739	—	Thread Cone (wood) for large cones
225390	—	" " Holder, for inverted cones

NOTE.—Nos. 27739 and 225390 are used with but not included in 225258.

Numerical List of Parts

No.	Plate						
9d	1317	Tucker Tuck Guide Bracket Spring Screw for 36394
SS28b	1324	Corder Guide Finger Adjusting Screw for 85873
NN40d	88	Hemmer Base Stud Screw Thumb Nut for 85446
NN41d	2008	Corder Finger Arm Adjustable Bracket Thumb Nut for 85846
SS44d	200	Corder Screw (to fasten to machine) for 85875
SS50d	186	Binder Folder (bottom) Binding Screw for 85458
SS50d	186	Binder Folder Screw for 85685 and 85692
SS50d	186	Binder Tape Tension Screw for 85692 and 85698
SS50d	186	Binder Screw for 85707 and 85713
SS50d	186	Binder Folder Roller Guide Binding Screw for 85458
SS50d	186	Corder Screw (to fasten to machine) for 85867
SS54e	1324	Hemmer Base Stud Screw for 85447
SS65d	1324	Binder Folder Screw for 85698
76d	1324	Knee Lifter Lifting Lever Connecting Rod Joint Hinge Screw for 84769
102d	1324	Finger Guard Binding Screw for 86479
116e	1324	Arm Screw (back)
121e	1324	Arm Shaft (horizontal) Bevel Gear Case Screw for 127070
121e	1324	Rotating Hook Shaft Bevel Gear Case Screw for 127007
144d	1324	Arm Shaft (horizontal) Screw
152f	1688	Bobbin Winder Stop Latch Finger Screw for 60456
157c	1324	Feed Lifting Rock Shaft Crank Clamping Screw for 12376
157c	1324	Feed Rock Shaft Crank Clamping Screw for 29633
158e	1324	Bed Frame Cushion Screw for 24108
158j	1324	Arm Top Cover Screw
158j	1324	Arm Top Cover Tension Bracket Screw
171d	1324	Bobbin Winder Pulley Set Screw for 41585
176d	559	Binder Folder Screw (to fasten to machine) for 85681
176d	559	Face Plate Screw
178e	1324	Knee Lifter Bell Crank Bracket Screw for 84769